

# **MILLE APPLIED RESEARCH CO., INC.**

**STANDARD**

**CABLE ASSEMBLIES**

Revised 01/24/2003



**APPLICATION NOTE  
STANDARD MARC CABLE ASSEMBLIES**

---

## STANDARD MARC CABLE ASSEMBLIES

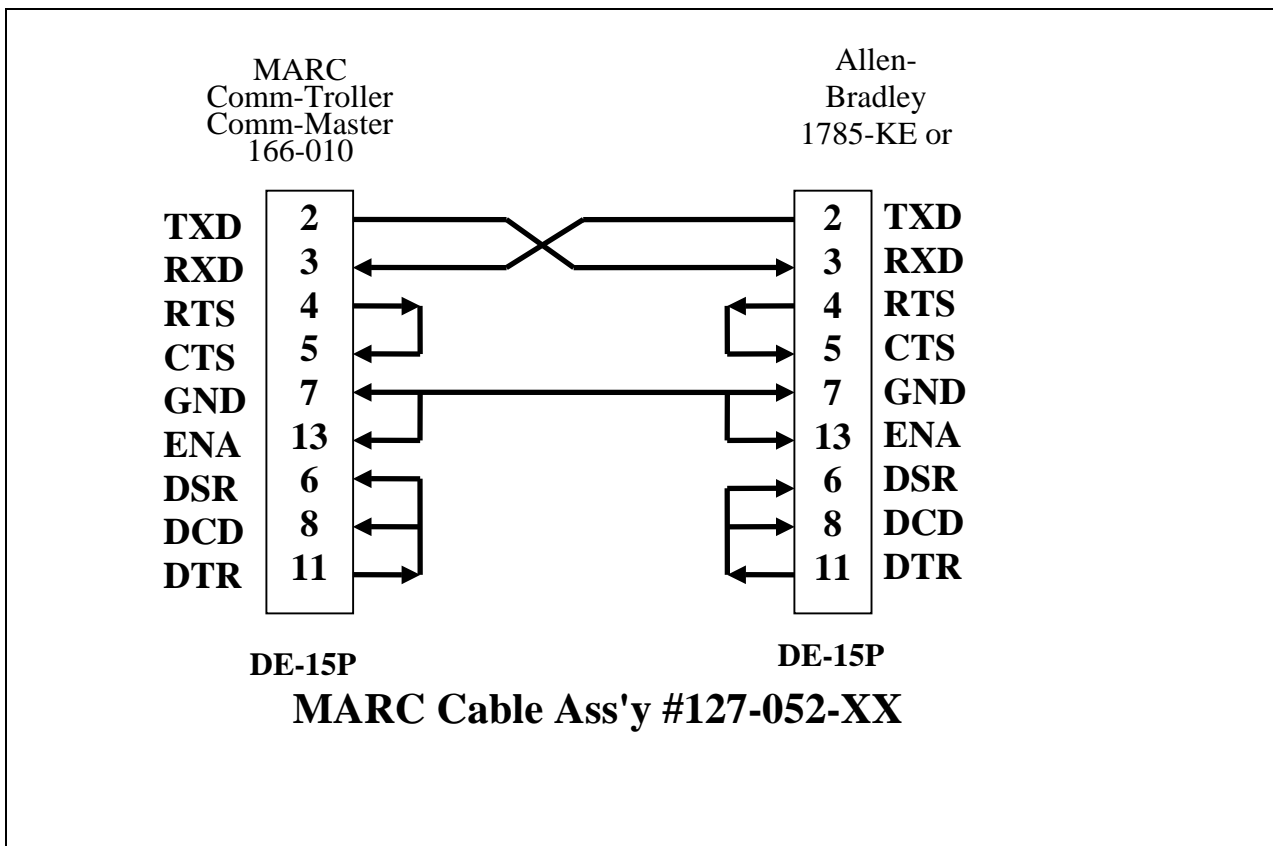
MARC stocks a large number of standard cable assemblies for use with our PLC communication modules. This Application Note describes the standard MARC cable assemblies that are available for use with Allen-Bradley PLC equipment. The communication modules can be connected in many ways depending upon the application. The exact connection depends primarily on two things; the hardware characteristics (pin numbers and connector type) and the specific protocol emulation that is to be accomplished. The cables are different because in some cases it may not be necessary to implement all of the RS-232 modem handshake signals that are available in each of the connectors or special connections are required because of protocol emulation requirements. The following pages detail each of the standard MARC cable assemblies along with a list of the most common use for each. Note that the MARC part number for a cable assembly includes the final cable length (in inches) as the last two digits of the part number. All cables are available in any length as a special order. The cable lengths which are normally stocked are listed at the top of each page.



127-052-12

**THIS CABLE IS USED FOR:**

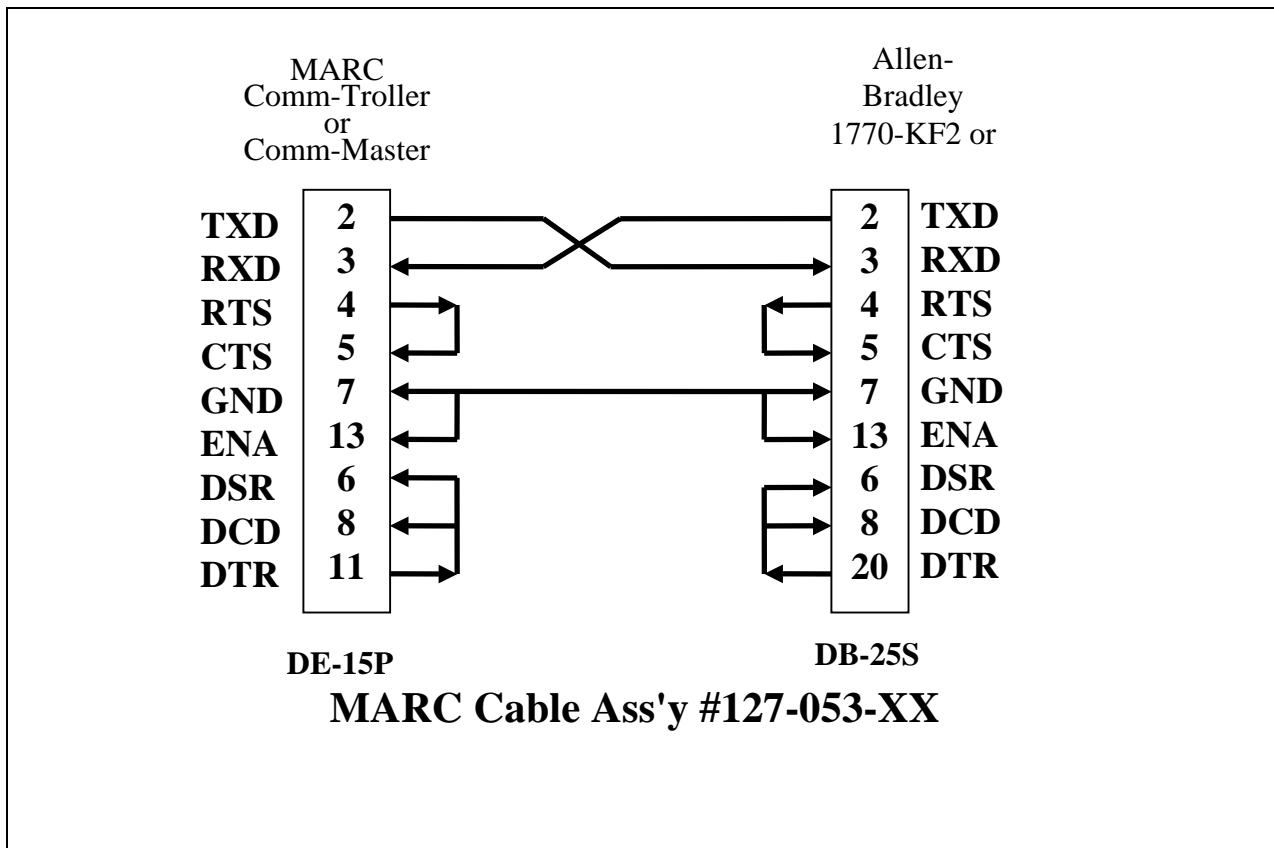
- MARC Comm-Troller to Allen-Bradley 1785-KE
- MARC Comm-Troller to Allen-Bradley 1771-KG
- MARC Comm-Master to Allen-Bradley 1785-KE
- MARC Comm-Master to Allen-Bradley 1771-KG
- MARC 166-010 Dial Up Modem to Comm-Troller or Comm-Master



127-053-96

THIS CABLE IS USED FOR:

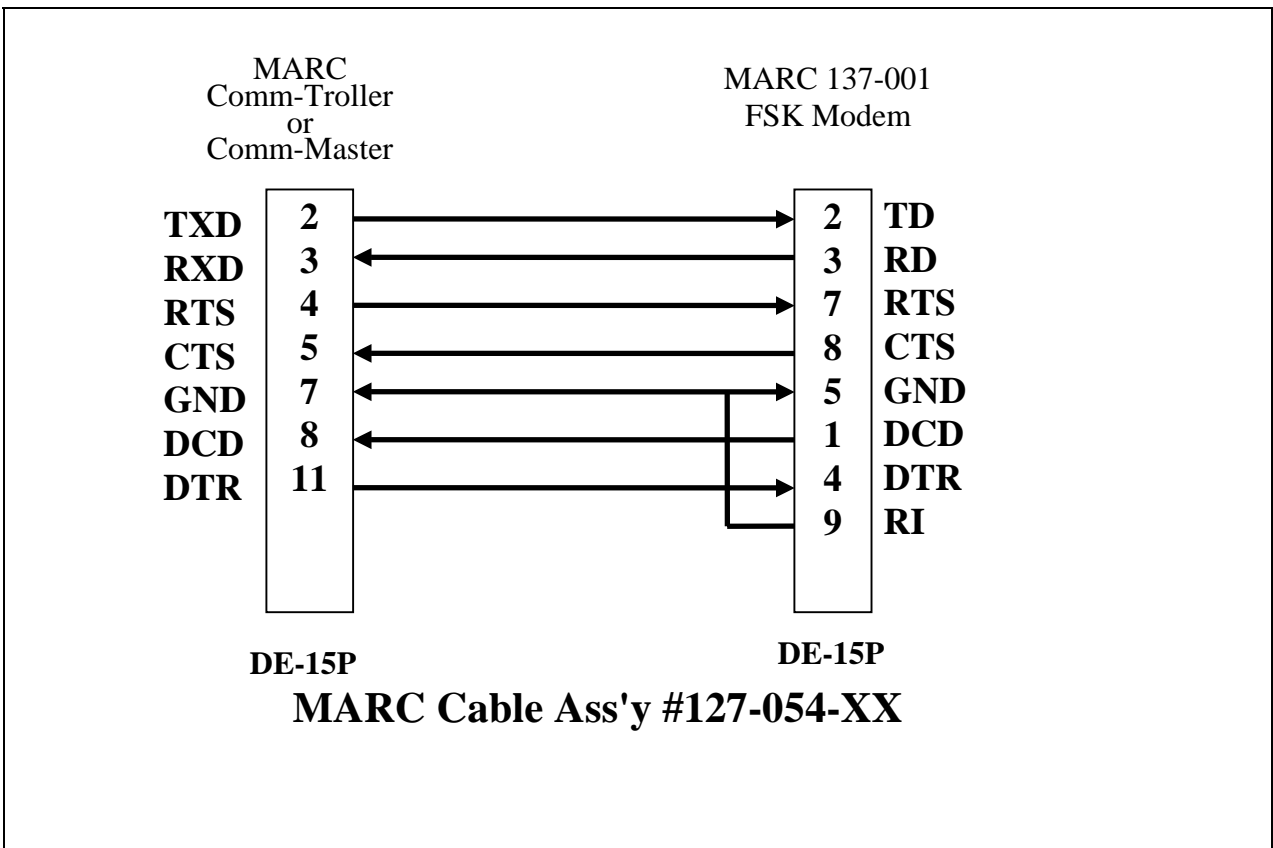
- MARC Comm-Troller to Allen-Bradley 1770-KF2
- MARC Comm-Troller to Allen-Bradley 1770-KF3
- MARC Comm-Master to Allen-Bradley 1770-KF2
- MARC Comm-Master to Allen-Bradley 1770-KF3



**127-054-12**

**THIS CABLE IS USED FOR:**

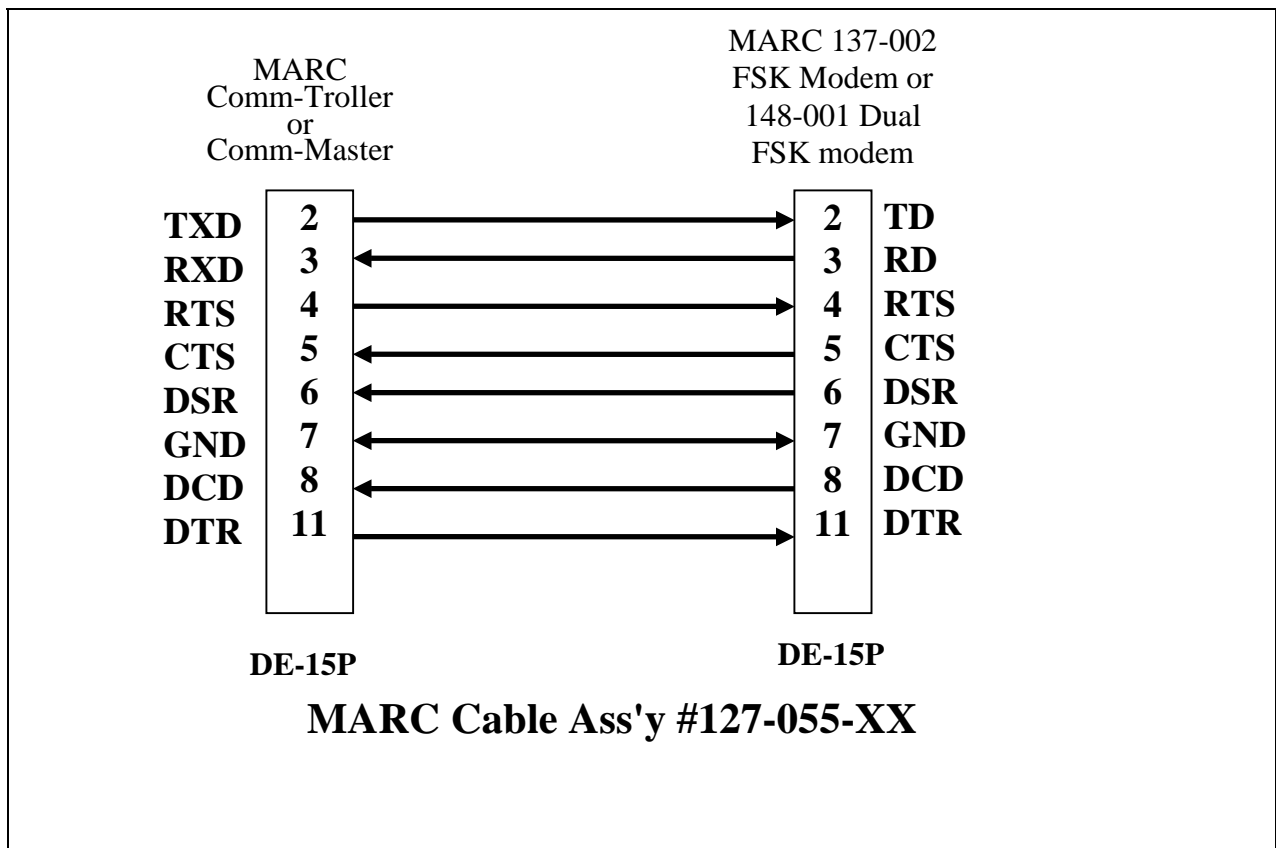
MARC Comm-Troller to MARC 137-001 FSK Modem  
MARC Comm-Master to MARC 137-001 FSK Modem



127-055-12

THIS CABLE IS USED FOR:

- MARC Comm-Troller to MARC 137-002 FSK Modem with Radio Transmitter Controls
- MARC Comm-Troller to MARC 148-001 Dual FSK Modem
- MARC Comm-Master to MARC 137-002 FSK Modem with Radio Transmitter Controls
- MARC Comm-Master to MARC 148-001 Dual FSK Modem

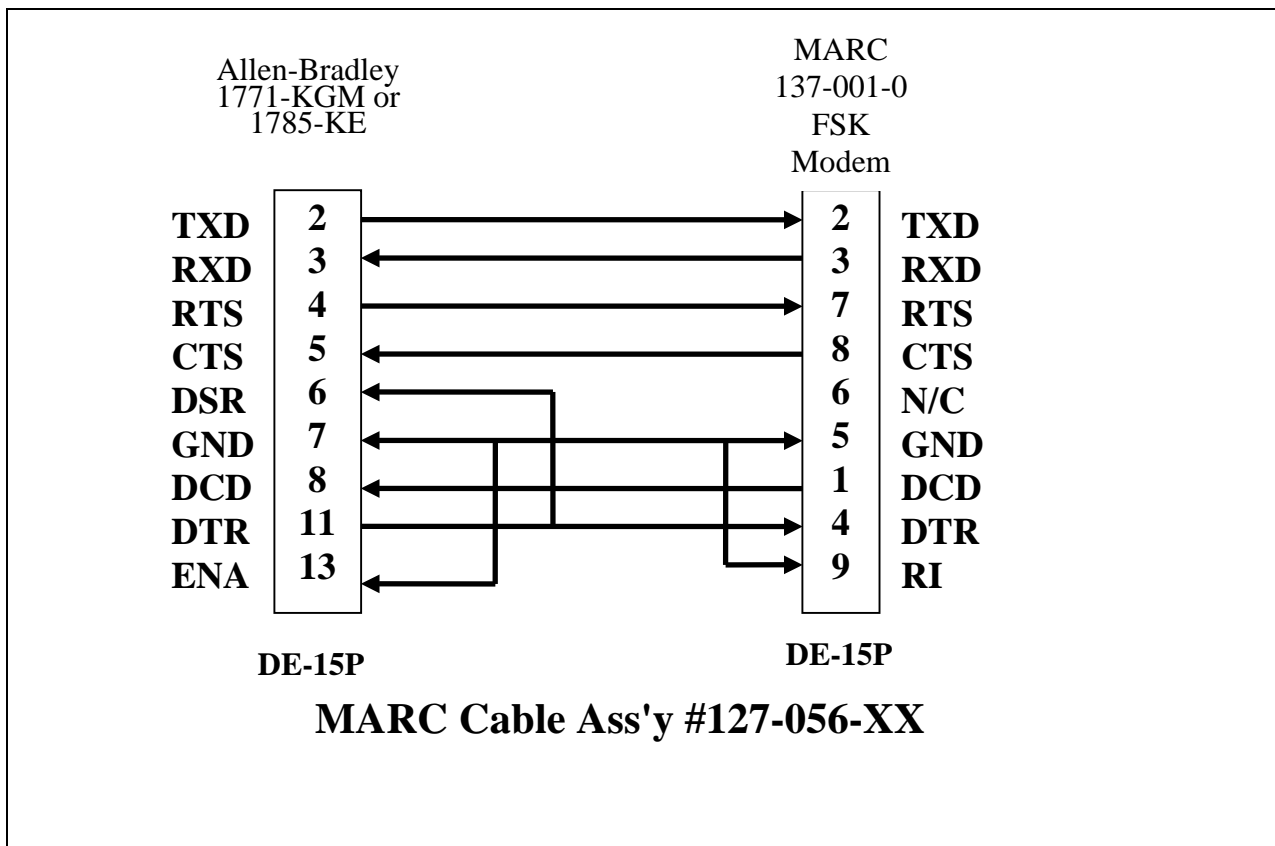




**127-056-12**

THIS CABLE IS USED FOR:

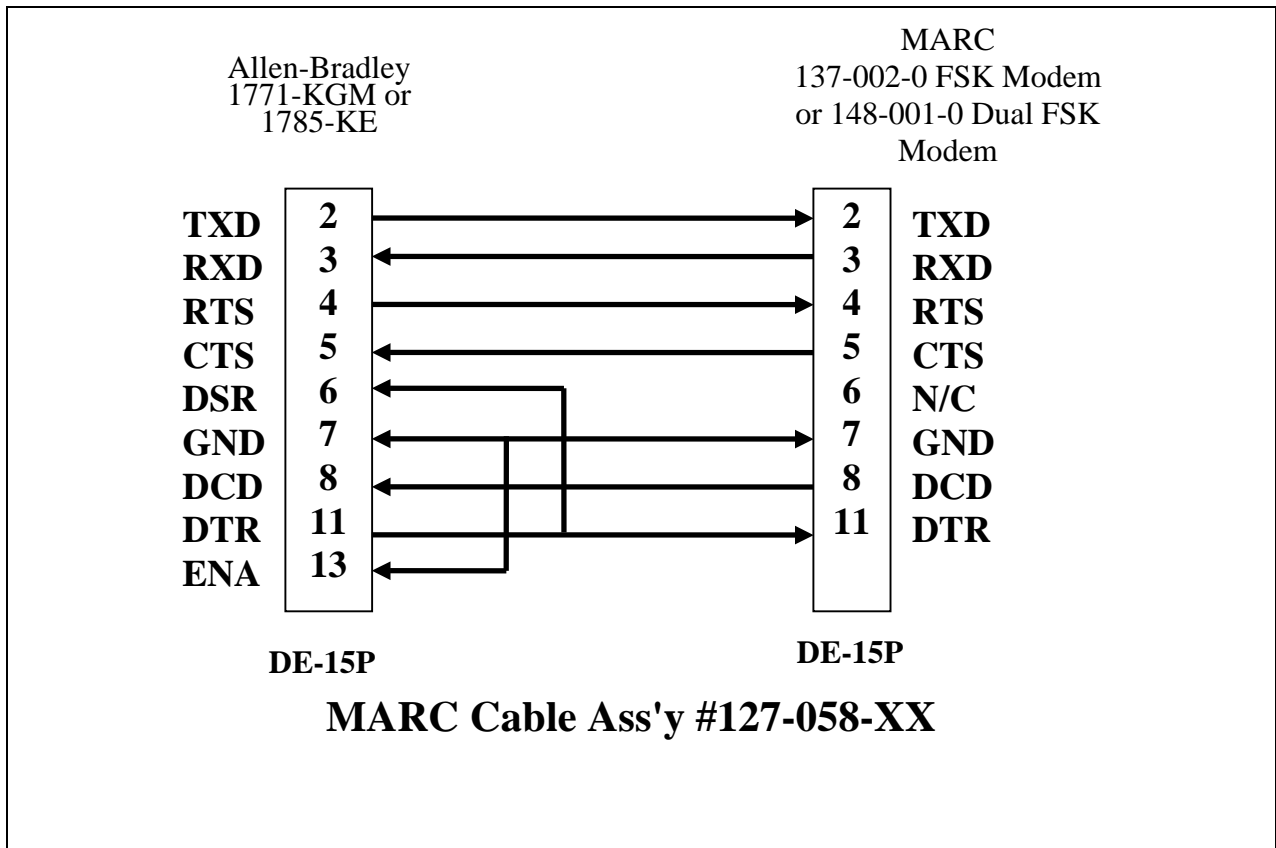
MARC FSK Modem to Allen-Bradley 1771-KGM  
MARC FSK Modem to Allen-Bradley 1785-KE



127-058-12

THIS CABLE IS USED FOR:

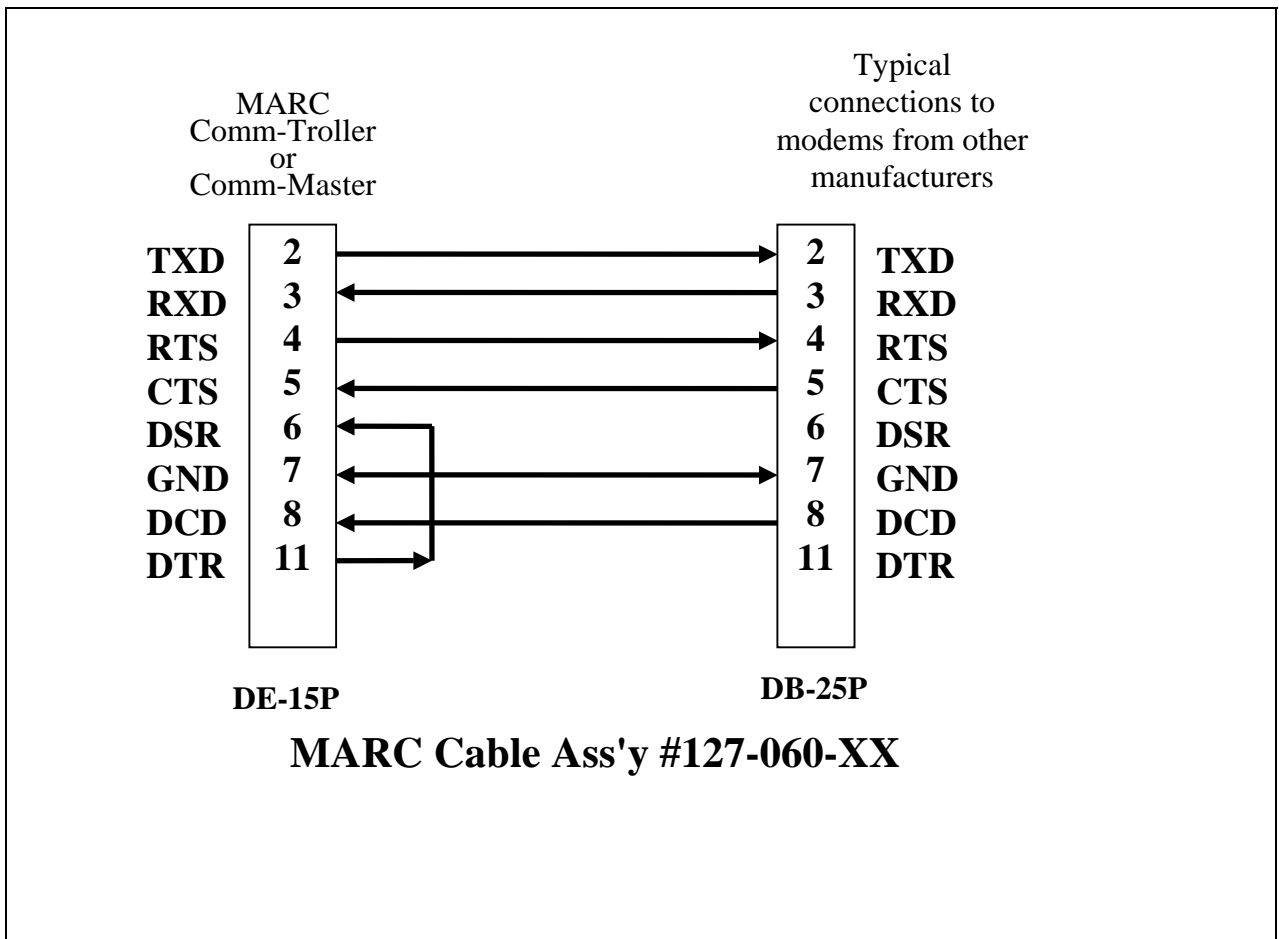
- MARC Dual FSK Modem to Allen-Bradley 1771-KGM
- MARC Dual FSK Modem to Allen-Bradley 1785-KE
- MARC FSK Modem with Radio Control to Allen-Bradley 1771-KGM
- MARC FSK Modem with Radio Control to Allen-Bradley 1785-KE



127-060-96

THIS CABLE IS USED FOR:

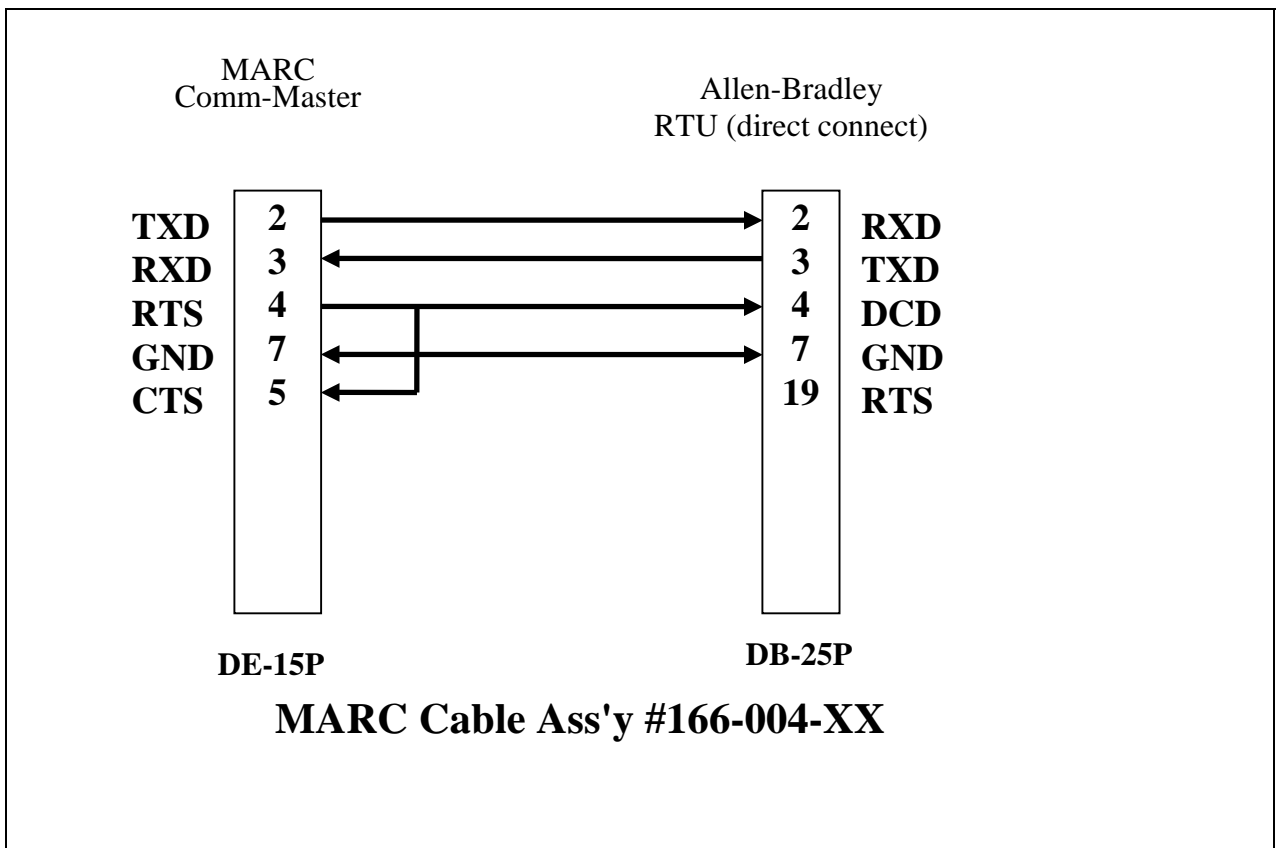
MARC Comm-Troller to other Modems  
MARC Comm-Master to other Modems



166-004-96

THIS CABLE IS USED FOR:

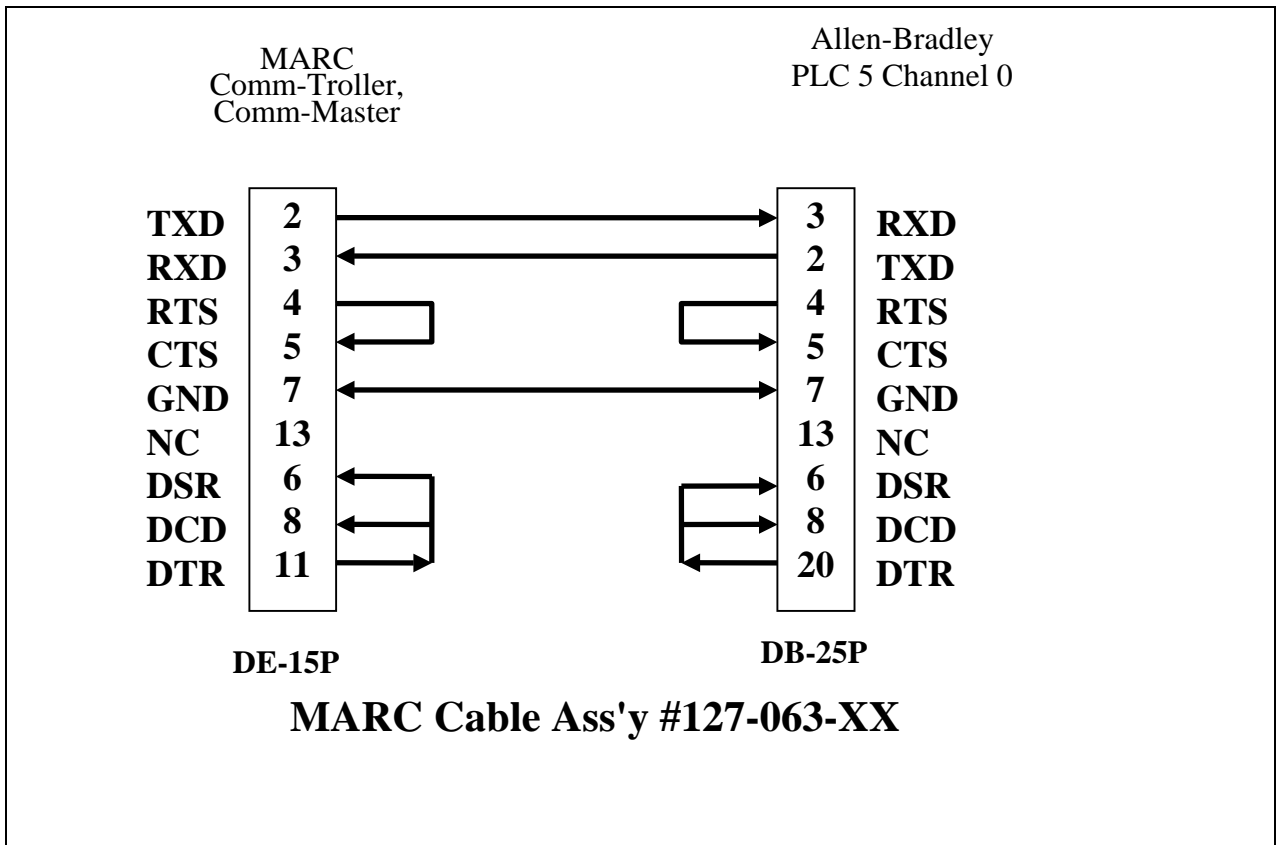
- MARC Comm-Master to Allen-Bradley RTU 5/1000 (direct connect)
- MARC Comm-Master to Allen-Bradley RTU 5/2000 (direct connect)



127-063-12

THIS CABLE IS USED FOR:

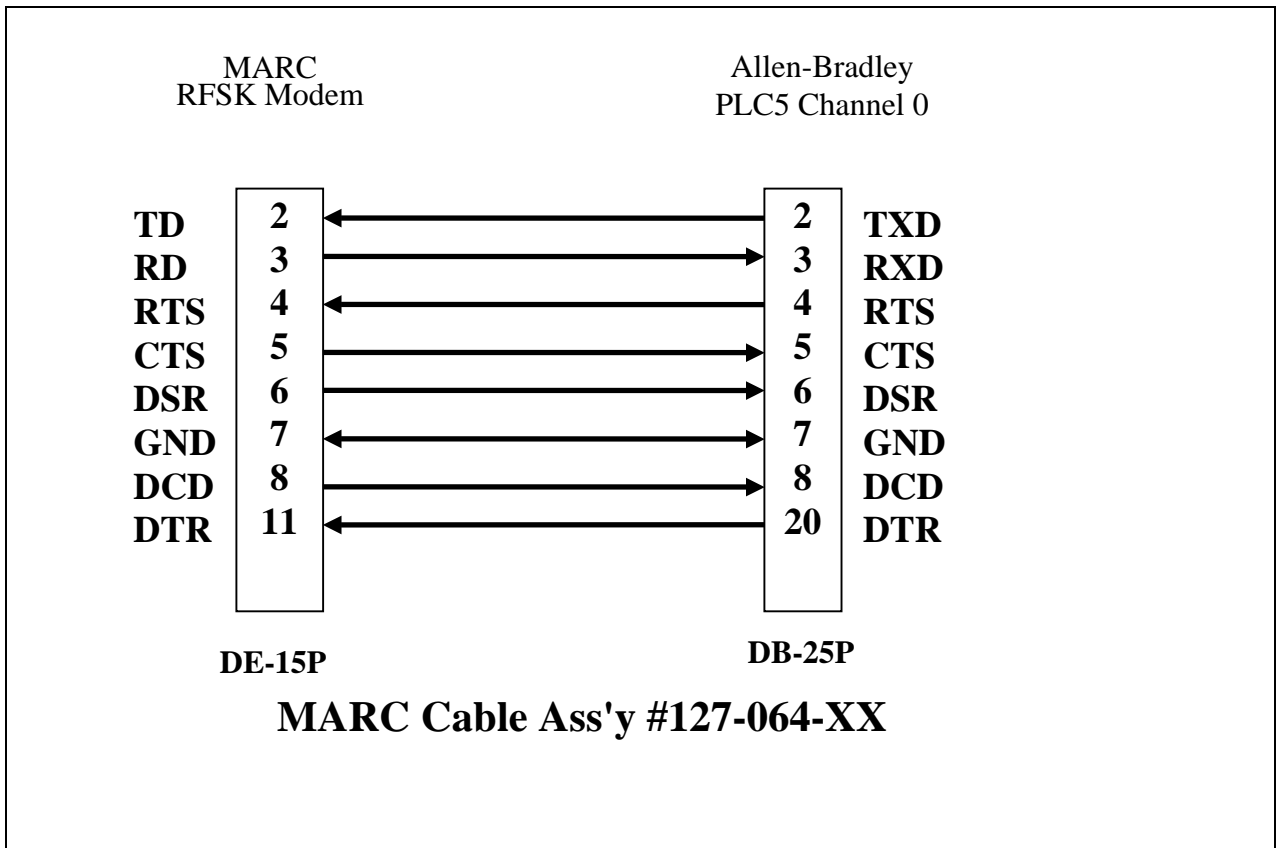
MARC Comm-Master to PLC 5 Channel 0  
MARC Comm-Troller to PLC 5 Channel 0



127-064-12

THIS CABLE IS USED FOR:

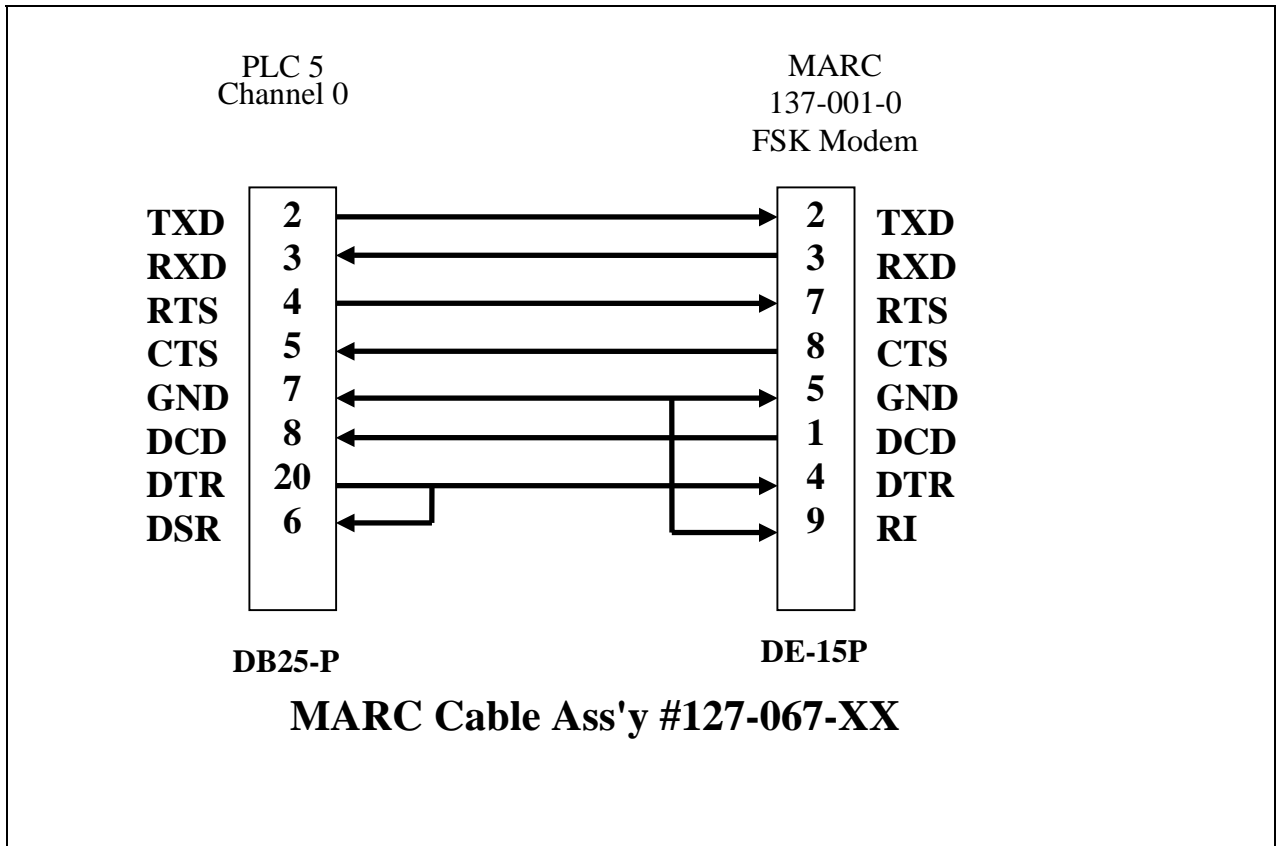
MARC RFSK Modems to PLC5 Channel 0



**127-067-12**

THIS CABLE IS USED FOR:

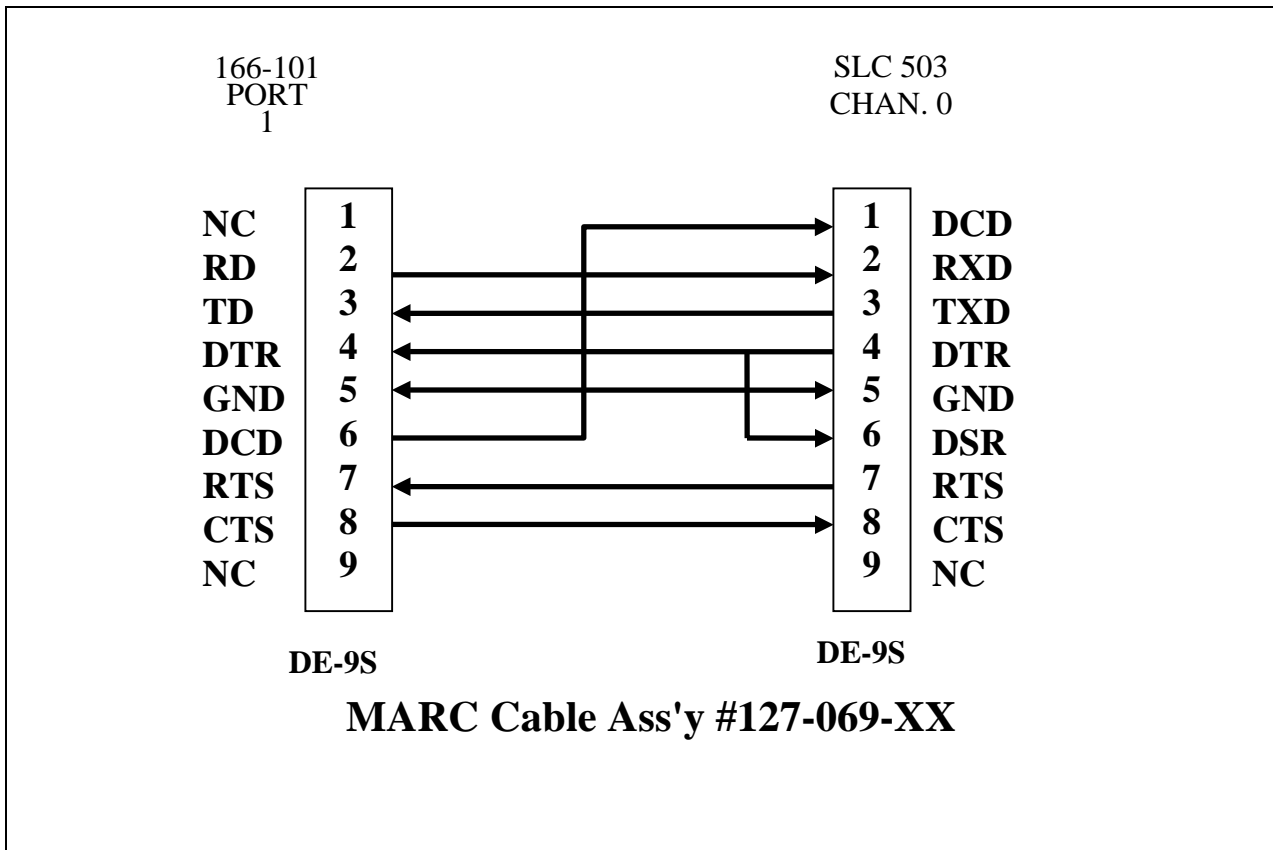
PLC5/ Channel 0 to 137-001 FSK Modem



127-069-12

THIS CABLE IS USED FOR:

FSK Modem to SLC 503



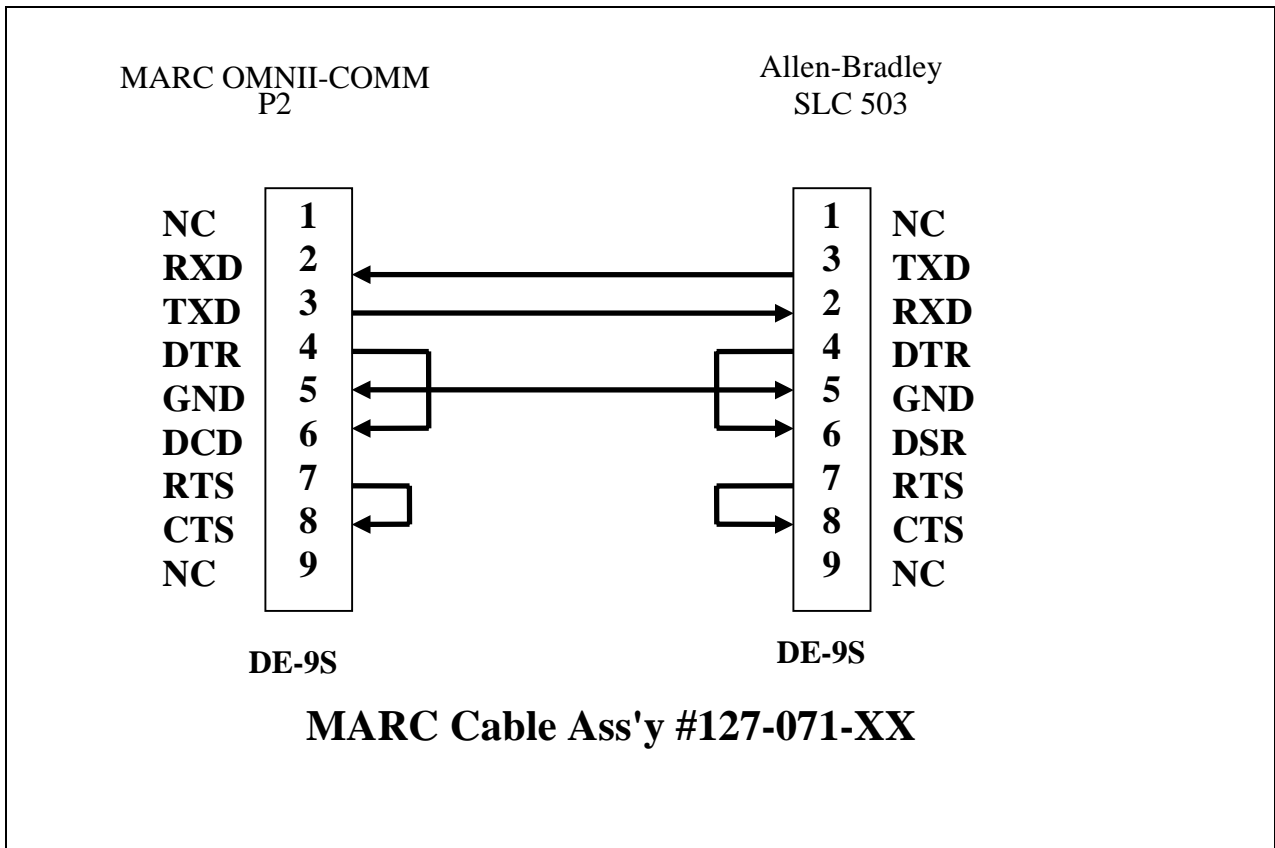




127-071-12

THIS CABLE IS USED FOR:

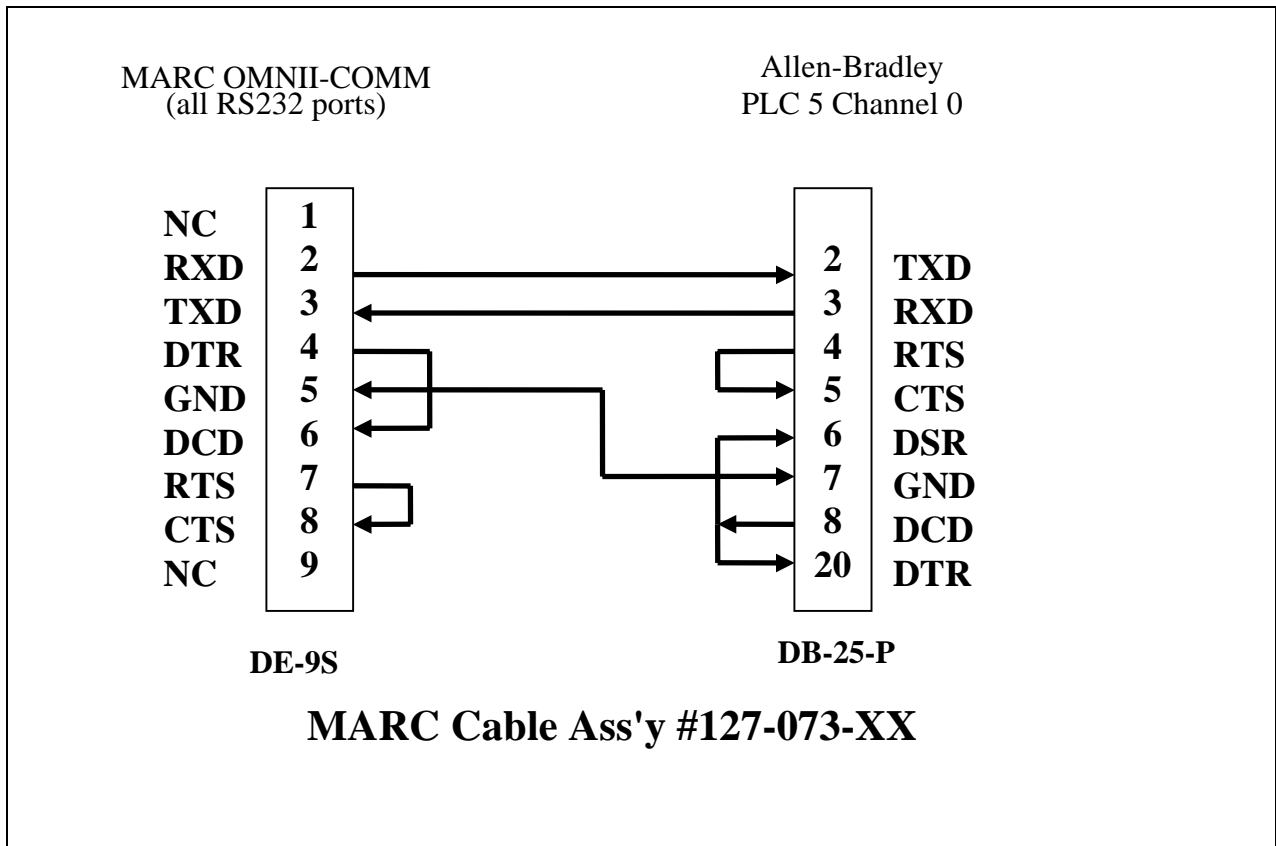
MARC OMNII-COMM TO PLC-503 or 1747-KE



**127-073-12**

THIS CABLE IS USED FOR:

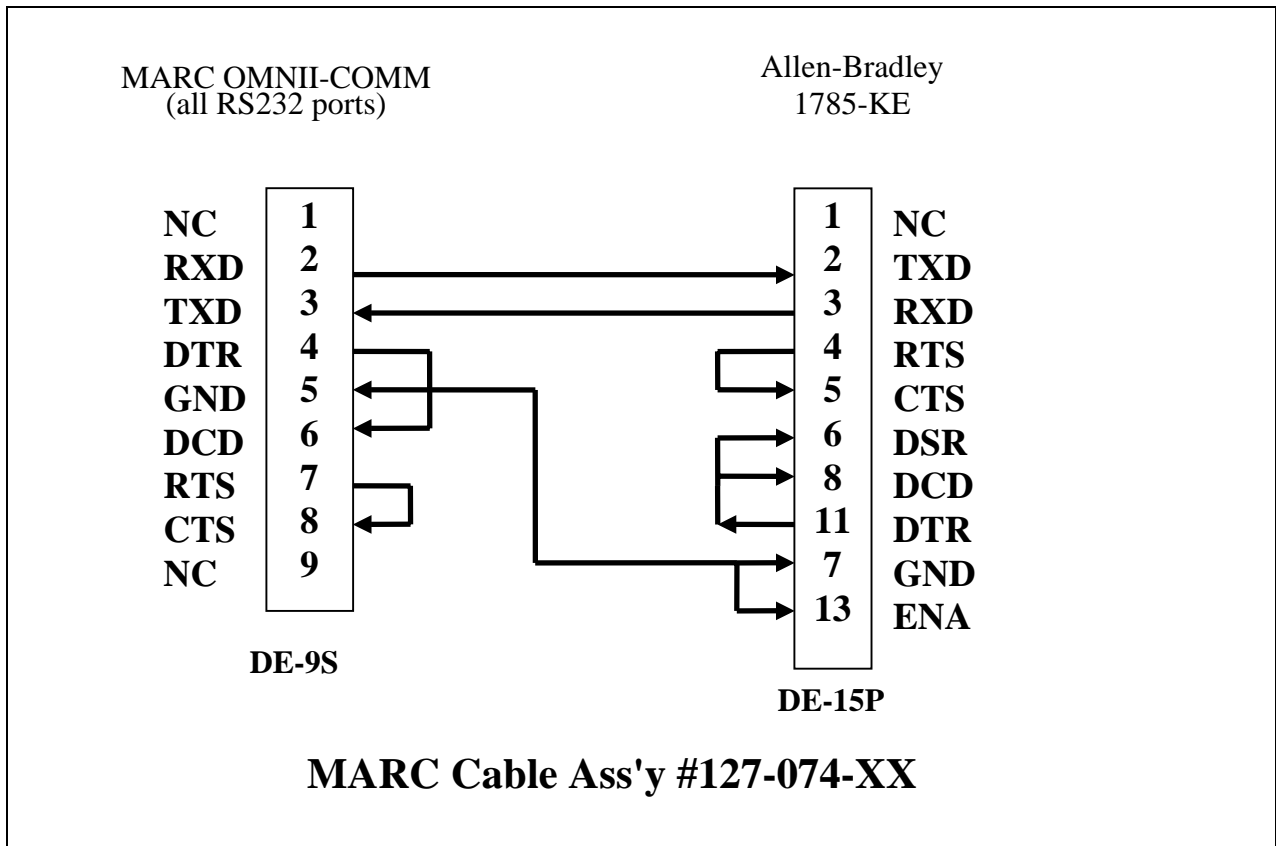
MARC ONMII-COMM TO PLC-5 Channel 0



127-074-12

THIS CABLE IS USED FOR:

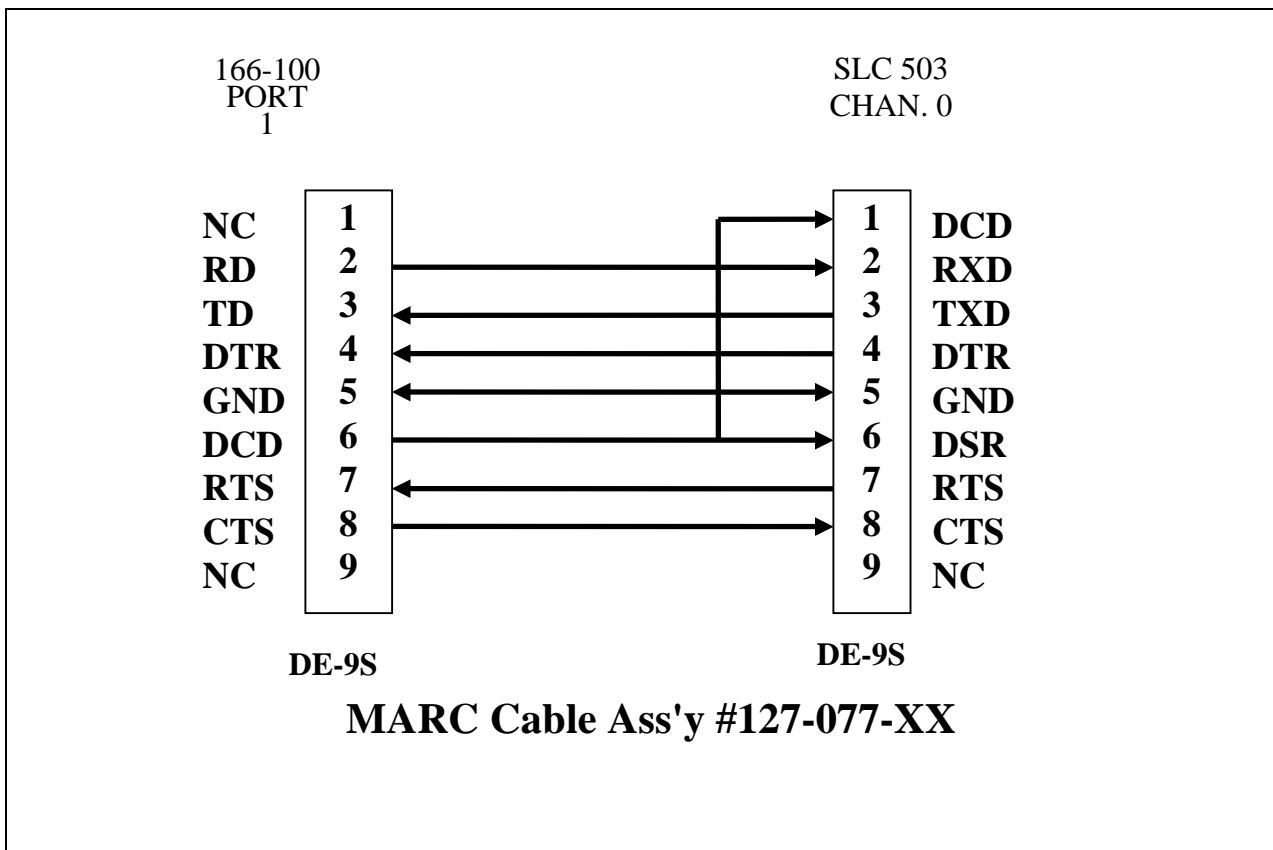
MARC ONMII-COMM TO 1785-KE



**127-077-12**

THIS CABLE IS USED FOR:

MARC 166-100 Dial-up Modem to SLC 503

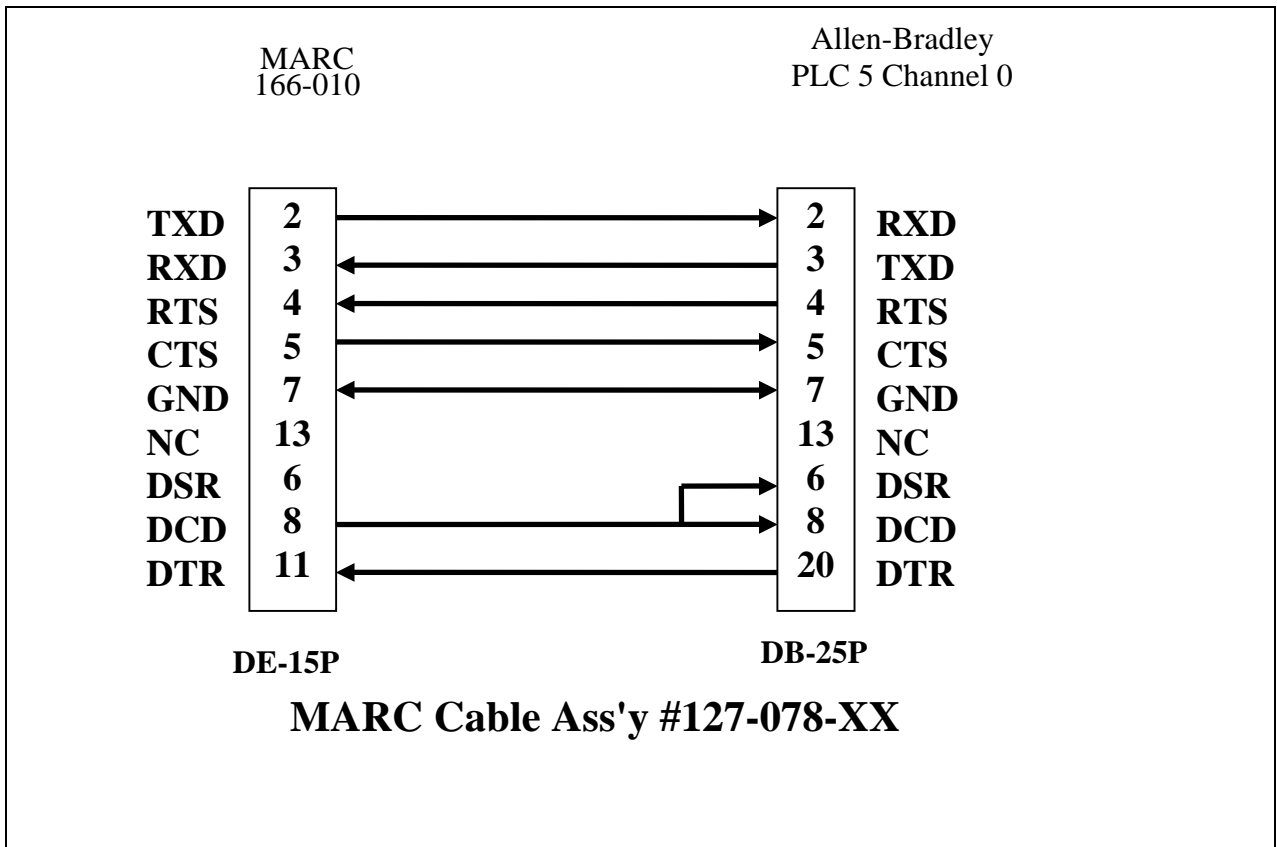


127-078-12

THIS CABLE IS USED FOR:

MARC 166-010 Dial-up Modem to PLC 5 Channel 0

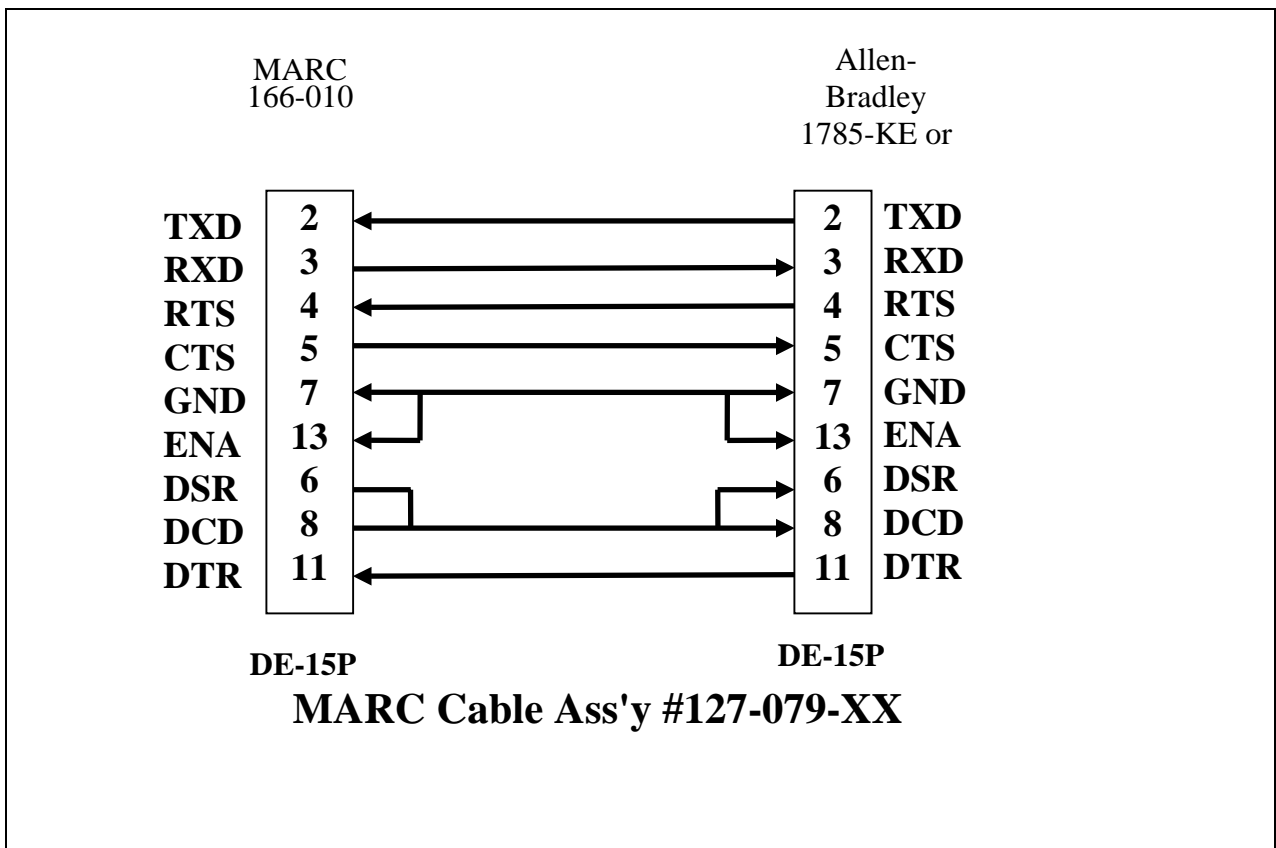
Note: Revision 2 or greater only.



127-079-12

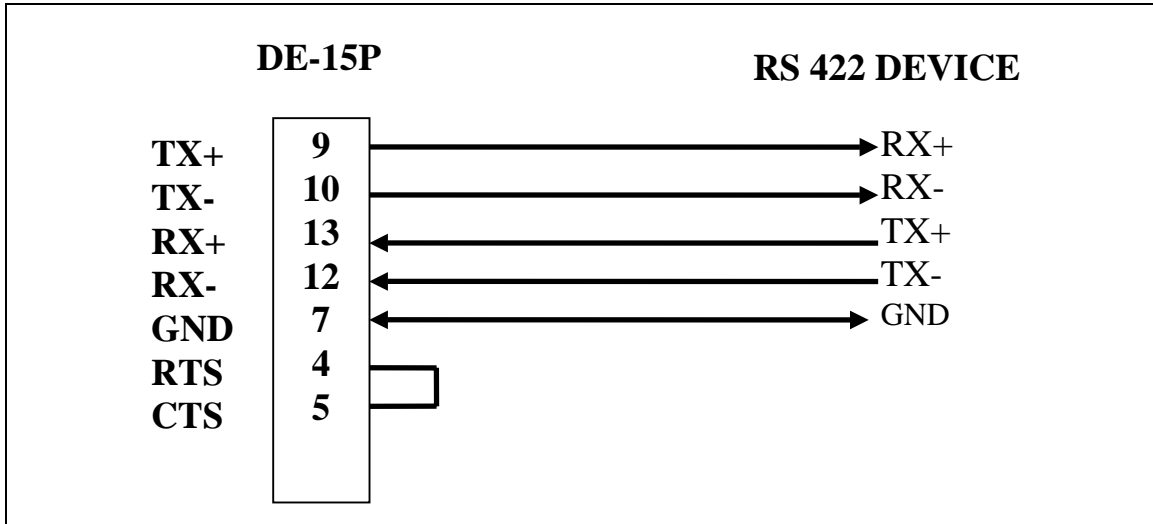
**THIS CABLE IS USED FOR:**

MARC 166-010 Dial Up Modem to 1785-KE and 1771-KG

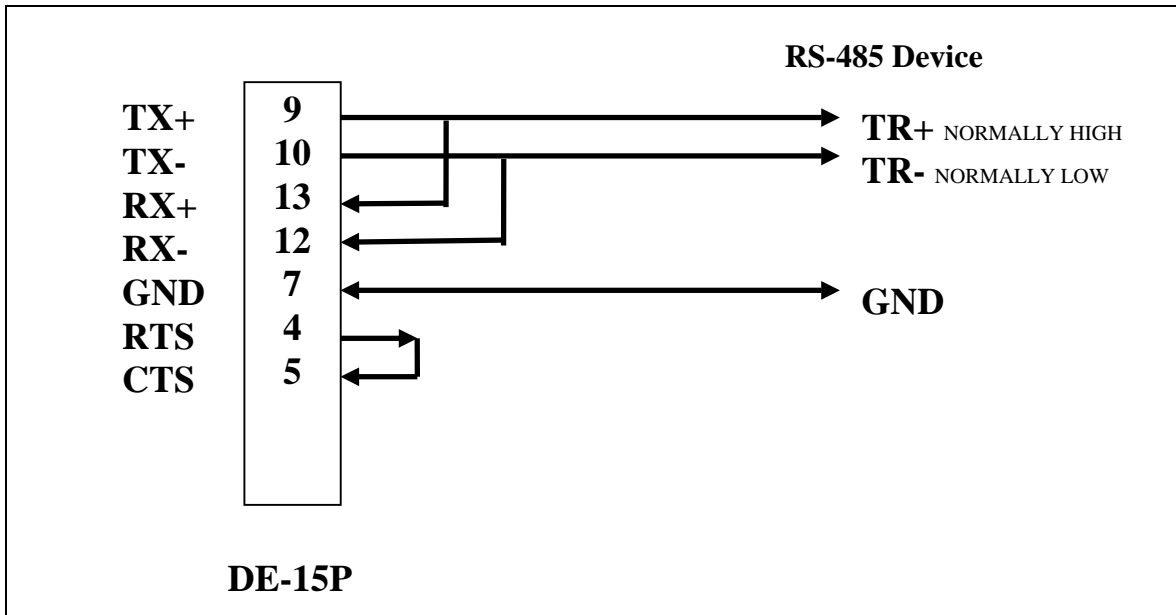


127-XXX-XX

Comm-Master or Comm-Troller RS422 Connections (typical)

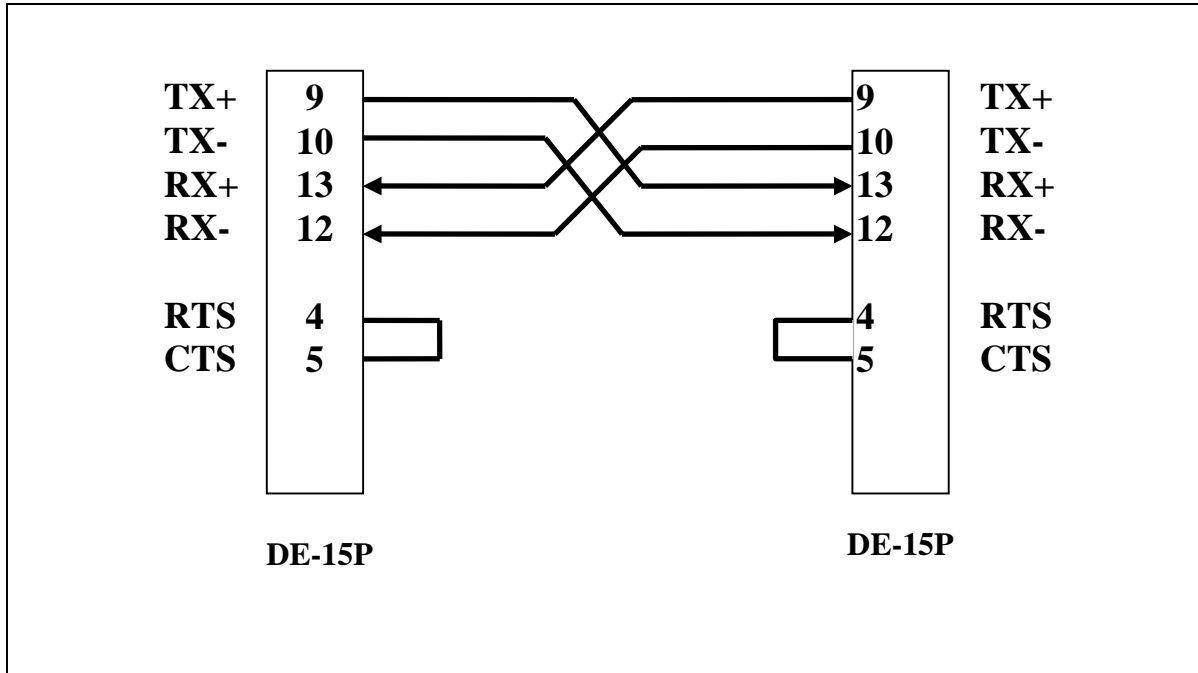


Comm-Master or Comm-Troller RS485 Connections (typical)

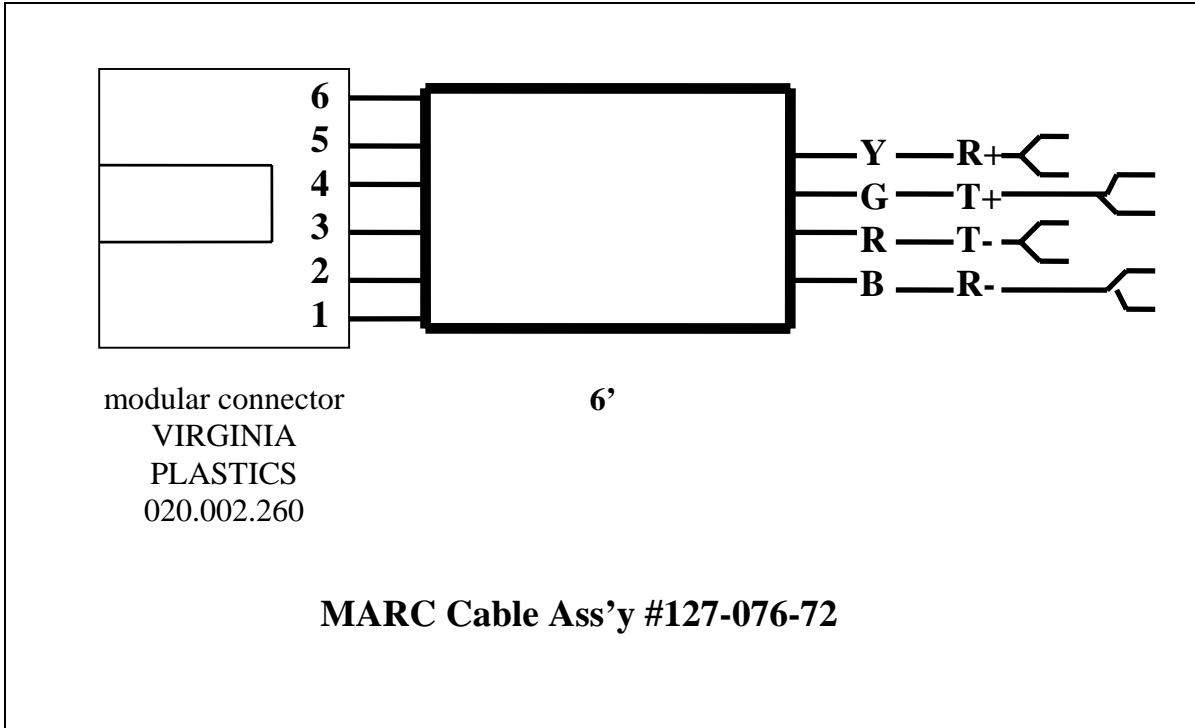




**RS-422 NULL MODEM CABLE  
for Comm-Troller or Comm-Master (Typical)**



127-076-72



NOTES

CONTACT OUR SALES OFFICE AT THE NUMBER BELOW TO  
GET ADDITIONAL INFORMATION ON OUR  
PLC COMMUNICATIONS PRODUCTS

**LEASED LINE MODEMS**

FOR PLC 5 AND SLC 500

**DIAL UP MODEMS**

FOR PLC 5 AND SLC 500

**COMM-MASTER™**

PLC 5 POLLING MASTER CARD

**COMM-TROLLER™**

PLC 5 PROTOCOL CONVERTER

**OMNII-COMM™**

UNIVERSAL COMMUNICATIONS CONTROLLER  
FOR PLC5 AND SLC 500

MIILLE APPLIED RESEARCH CO., INC.  
P.O. BOX 87634  
HOUSTON, TEXAS 77287  
U.S.A.

VOICE 800/729-0818  
OR  
FAX 713/472-0318  
<http://www.miille.com>