

# **MILLE APPLIED RESEARCH CO., INC.**

## **STANDARD TERMINAL STRIP CABLE ASSEMBLIES**

Revised 05/07/08



**APPLICATION NOTE  
STANDARD MARC CABLE ASSEMBLIES**

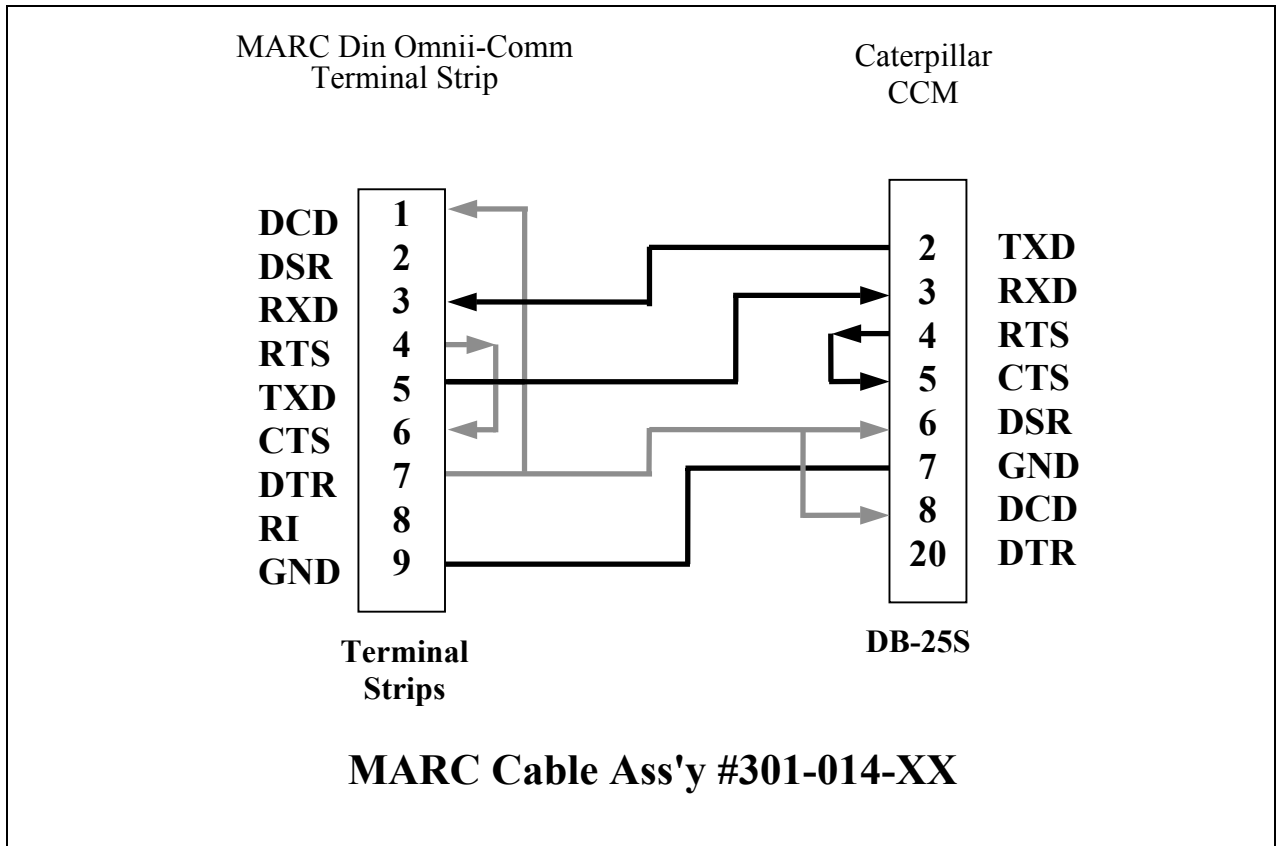
## **STANDARD MARC TERMINAL STRIP CABLE ASSEMBLIES FOR PLC'S AND MODEMS**

MARC stocks a large number of standard cable assemblies for use with our communication modules. This Application Note describes the standard MARC cable assemblies that are available for use with several different types of equipment. The communication modules can be connected in many ways depending upon the application. The exact connection depends primarily on two things; the hardware characteristics (pin numbers and connector type) and the specific protocol emulation that is to be accomplished. The cables are different because in some cases it may not be necessary to implement all of the RS-232 modem handshake signals that are available in each of the connectors or special connections are required because of protocol emulation requirements. The following pages detail each of the standard MARC cable assemblies for terminal strip connections. Note that the MARC part number for a cable assembly includes the final cable length (in inches) as the last two digits of the part number. All cables are available in any length as a special order.

### 301-014-XX

THIS CABLE IS USED FOR:

DIN OMNII-COMM TERMINAL STRIPS  
to CATERPILLAR CCM

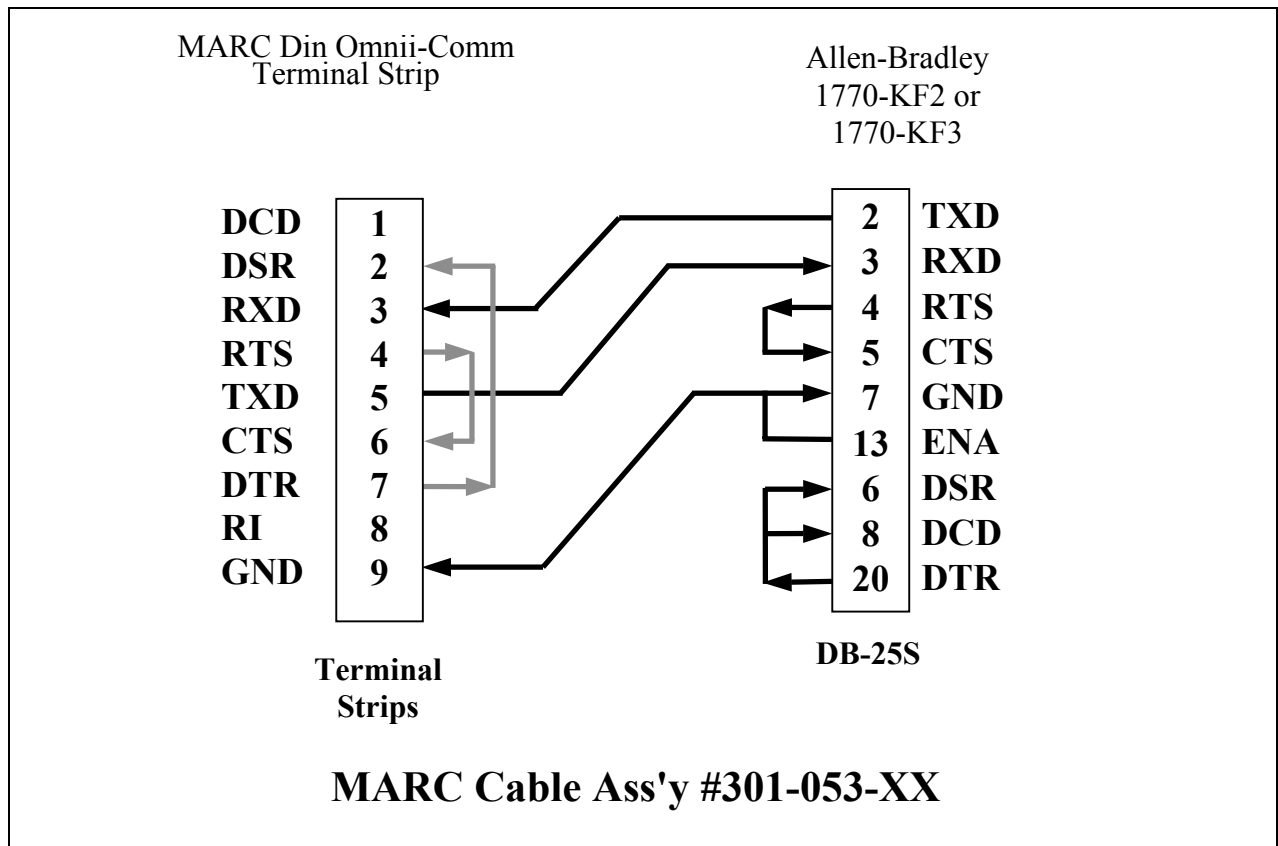


301-053-96

THIS CABLE IS USED FOR:

MARC Omnii-Comm Terminal Strip to Allen-Bradley 1770-KF2

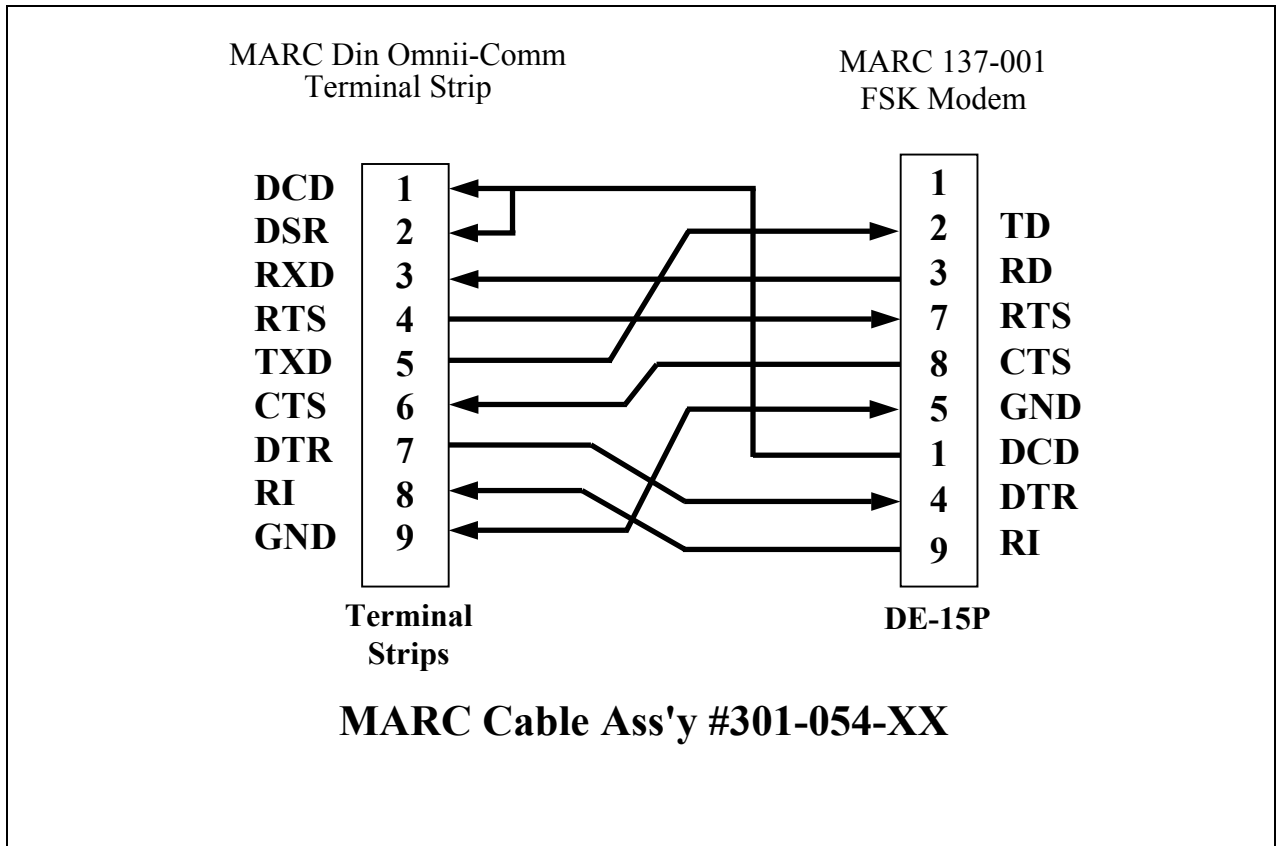
MARC Omnii-Comm Terminal Strip to Allen-Bradley 1770-KF3



**301-054-12**

**THIS CABLE IS USED FOR:**

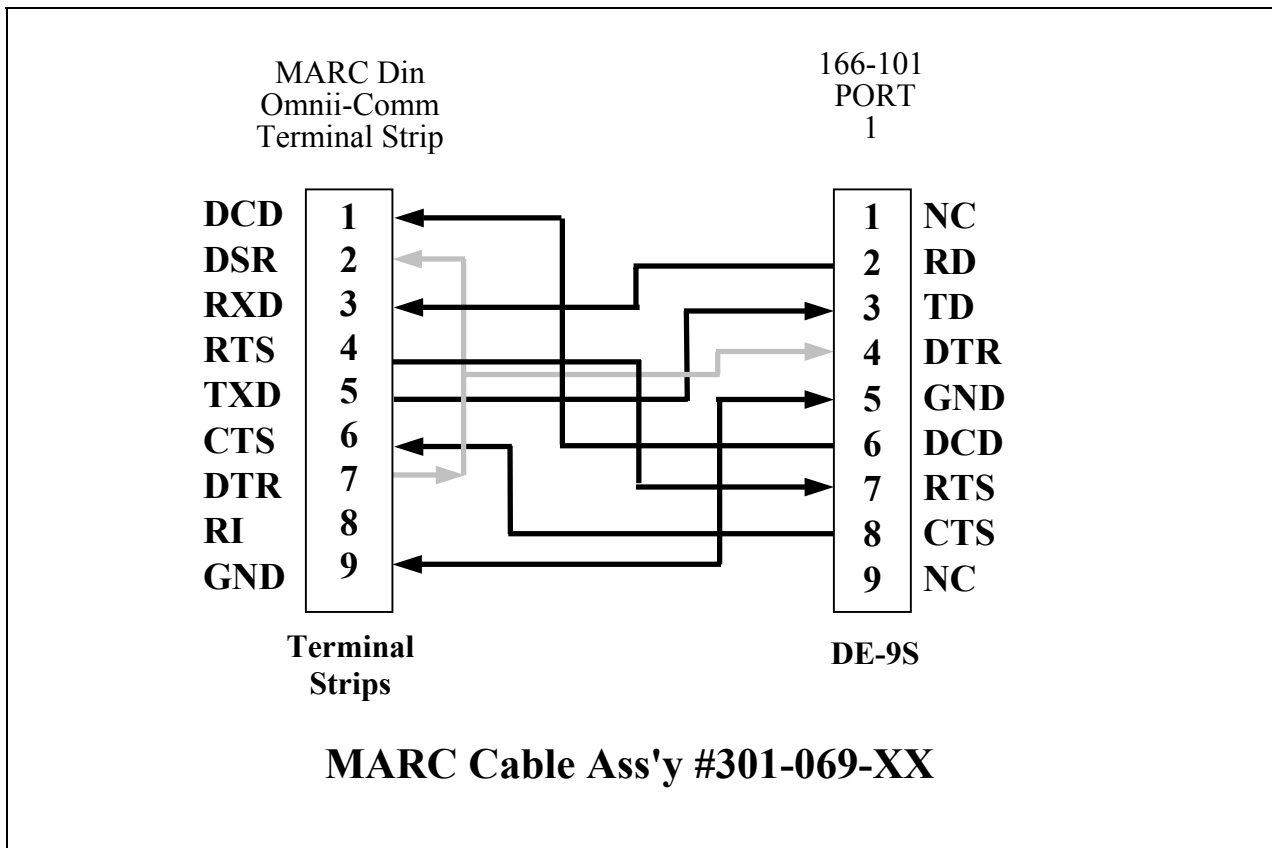
**MARC Din Omnii-Comm with Terminal Strips  
to MARC 137-001 FSK Modem**



**301-069-12**

THIS CABLE IS USED FOR:

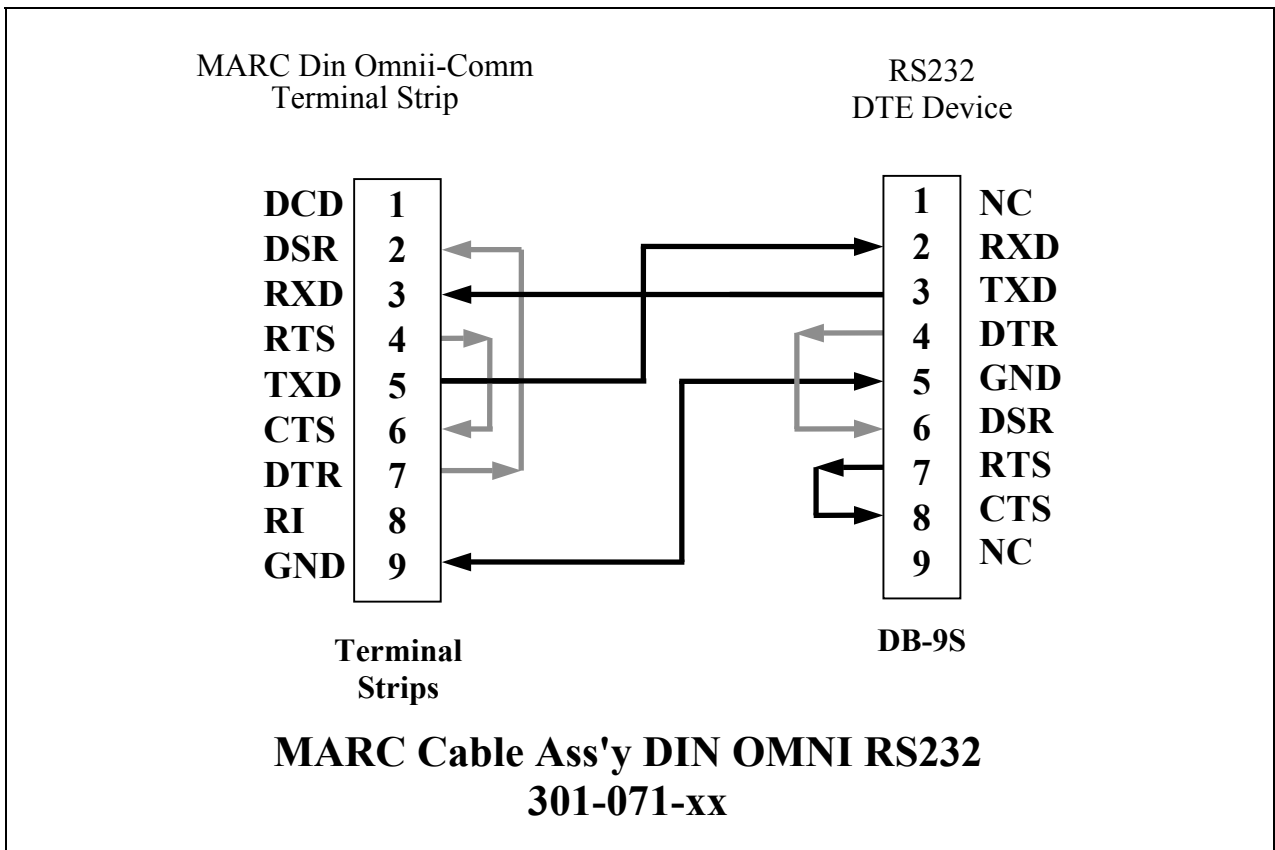
MARC Din Omnii-Comm with Terminal Strips  
166-101 FSK Modem



301-071-12

THIS CABLE IS USED FOR:

DIN OMNII-COMM TERMINAL STRIPS  
RS232 NULL TYPE CONNECTIONS





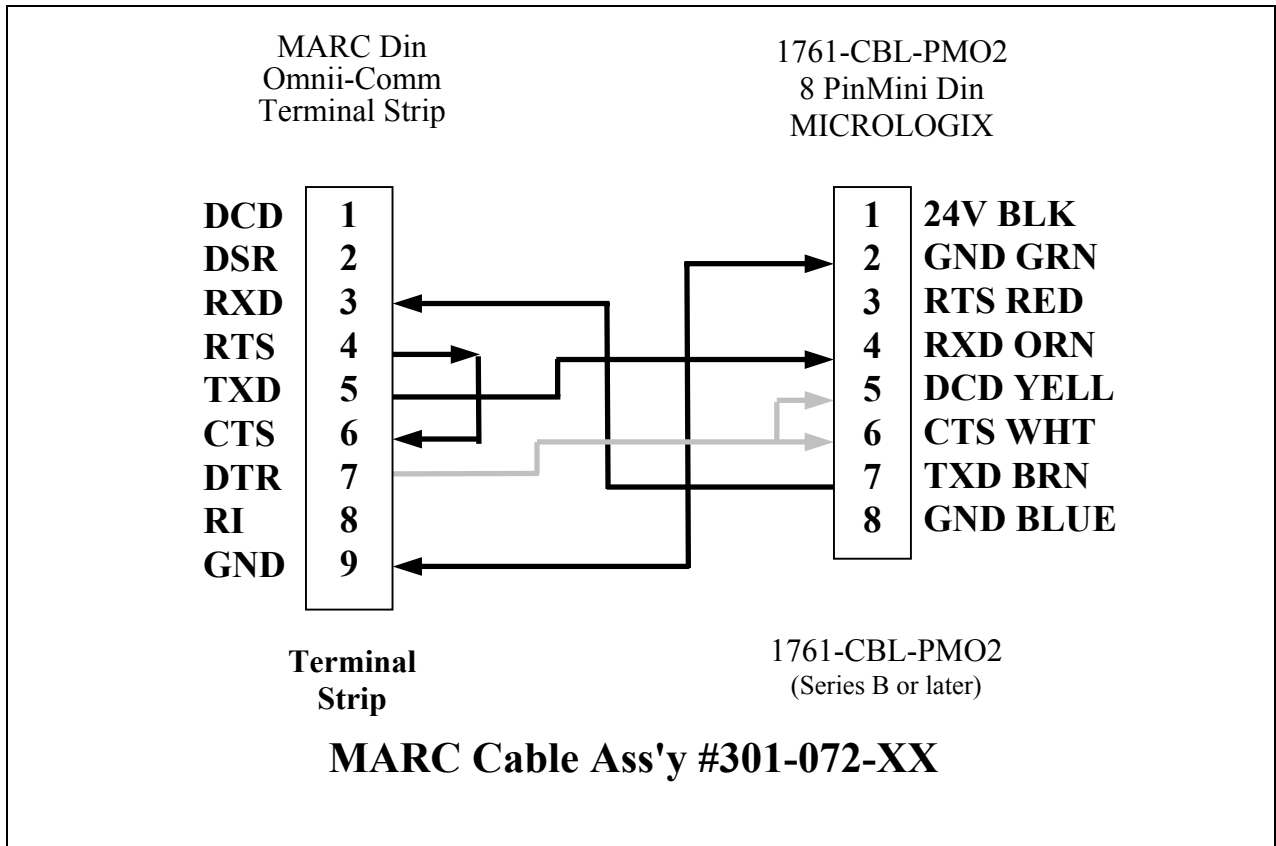
**301-072-12**

THIS CABLE IS USED FOR:

RS232 NULL MODEM

MARC Din Omnii-Comm with Terminal Strips to

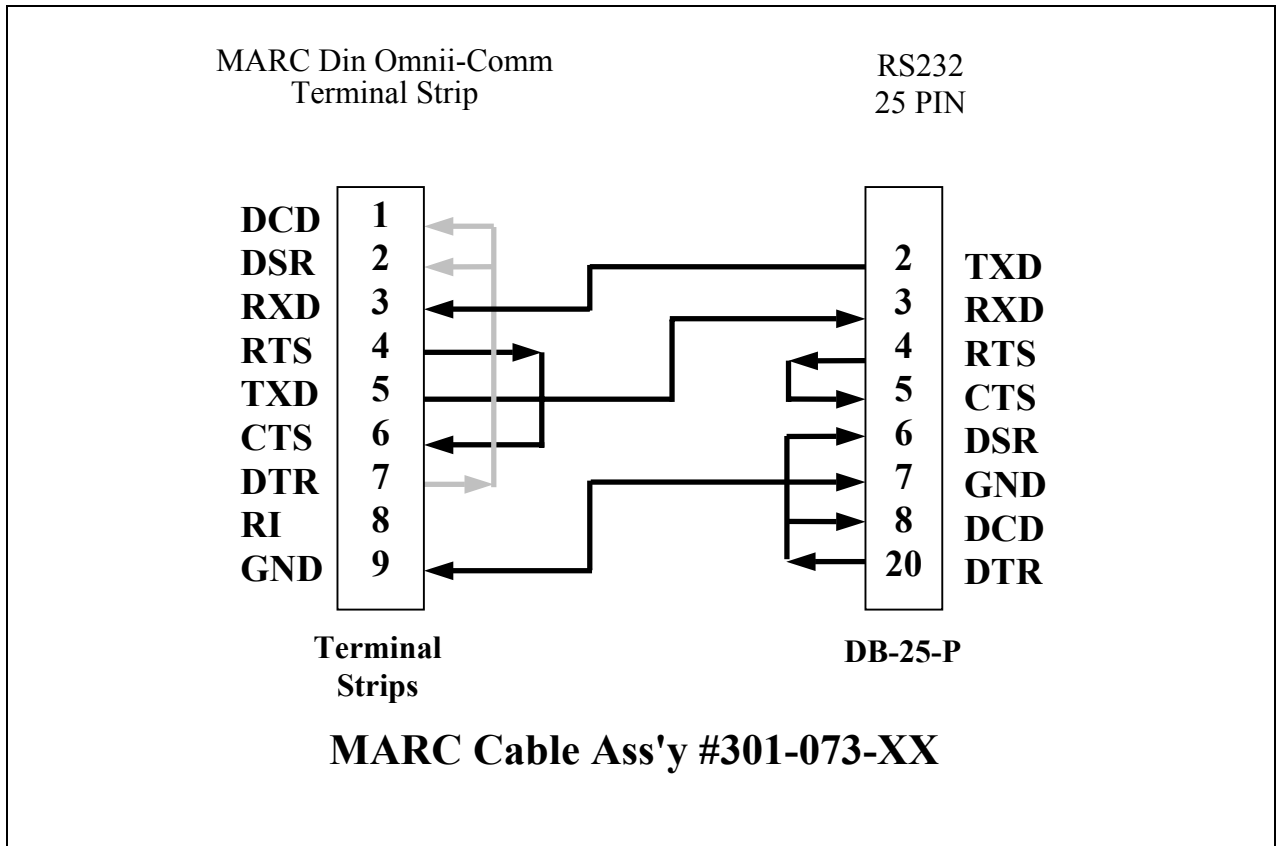
**1761-CBL-PMO2 8PIN MINI DIN MICROLOGIX**



**301-073-12**

THIS CABLE IS USED FOR:

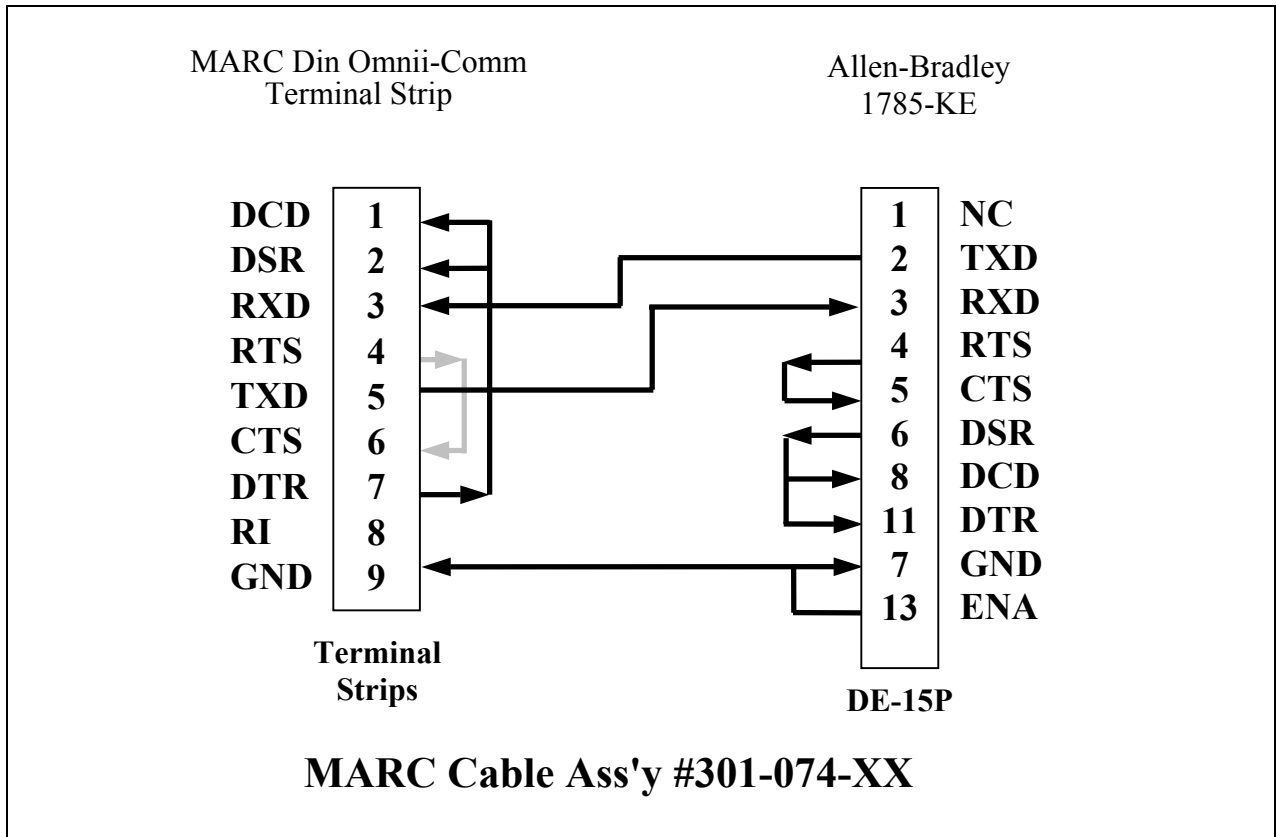
MARC Din Omnii-Comm with Terminal Strips  
25 Pin RS232



**301-074-12**

THIS CABLE IS USED FOR:

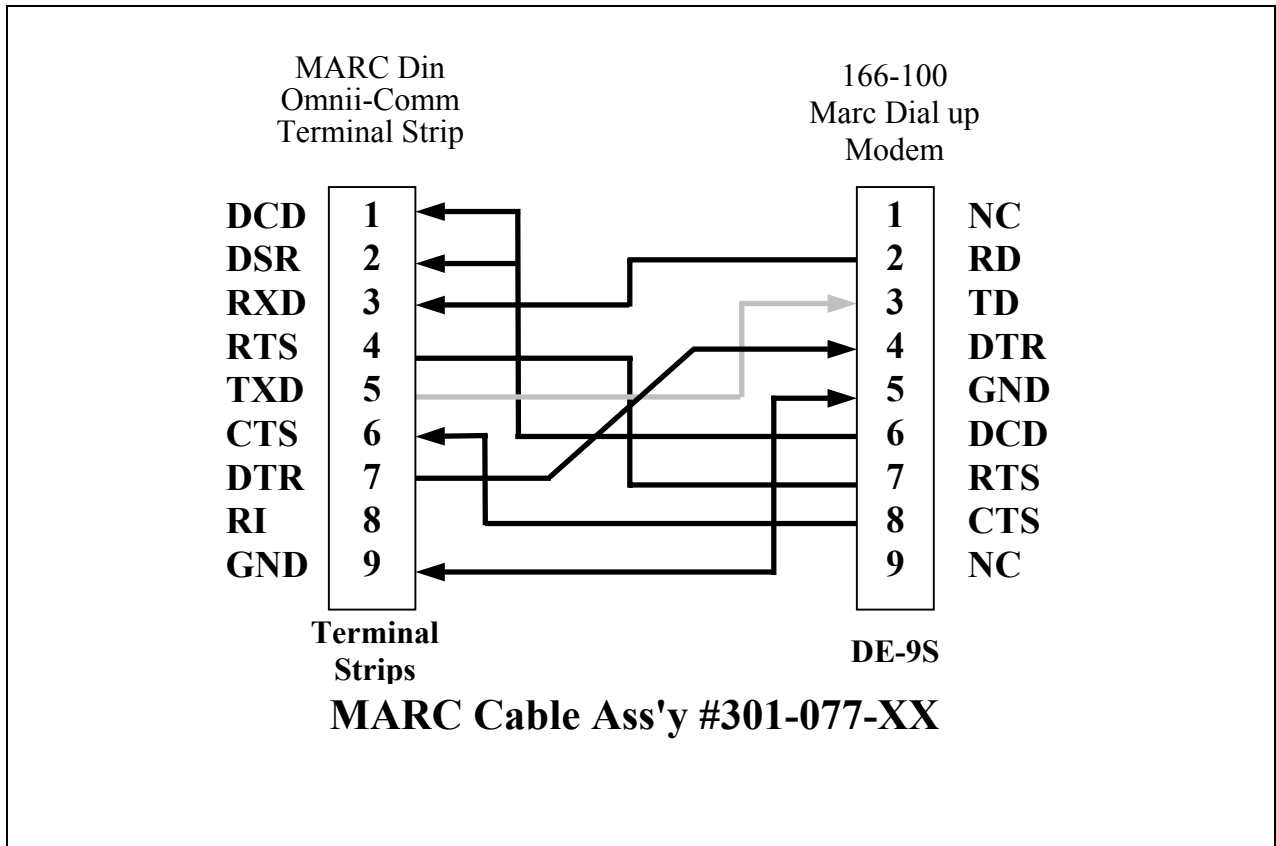
MARC Din Omnii-Comm with Terminal Strips  
TO 1785-KE



**301-077-12**

THIS CABLE IS USED FOR:

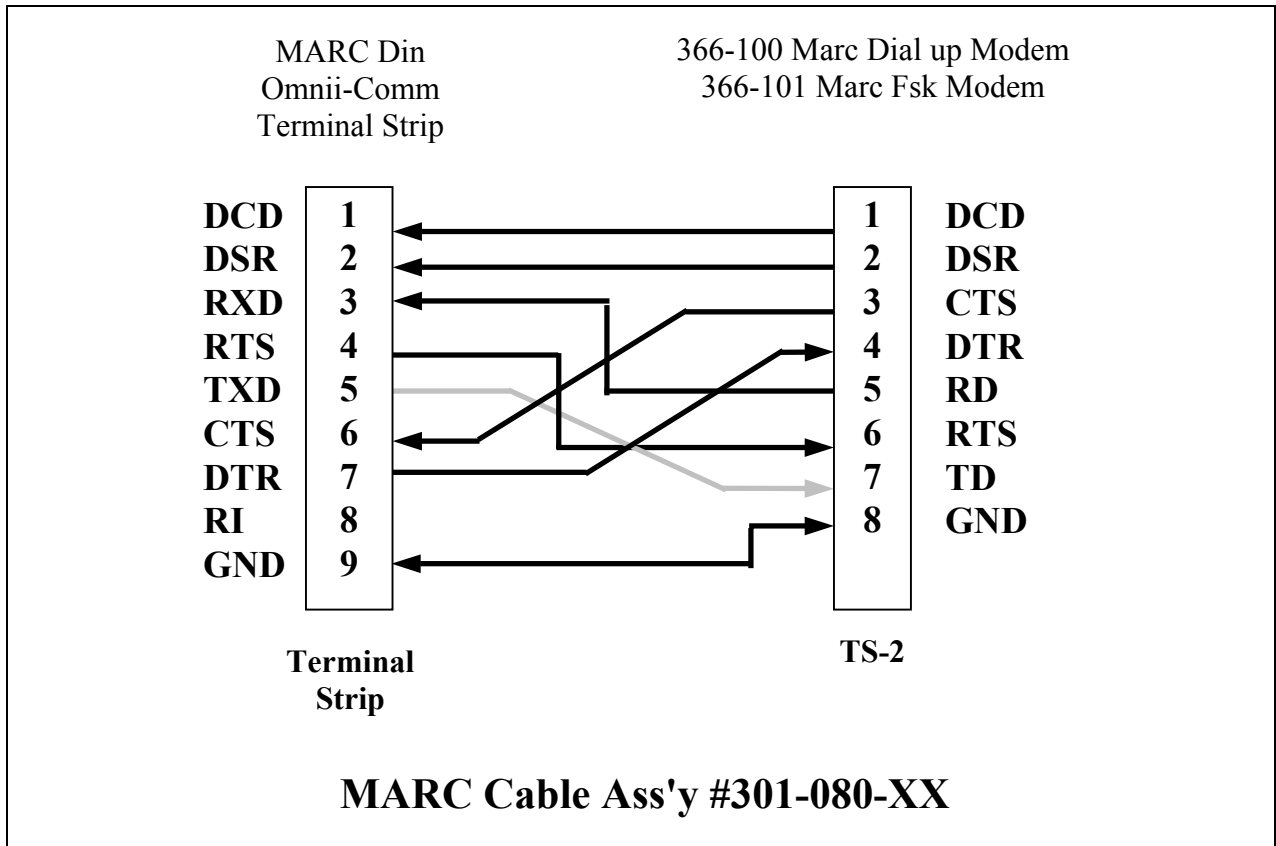
MARC Din Omnii-Comm with Terminal Strips to  
MARC 166-100 Dial-up Modem



**301-080-12**

THIS CABLE IS USED FOR:

MARC Din Omnii-Comm with Terminal Strips to  
MARC 366-100 Dial-up Modem  
MARC 366-101 FSK Modem



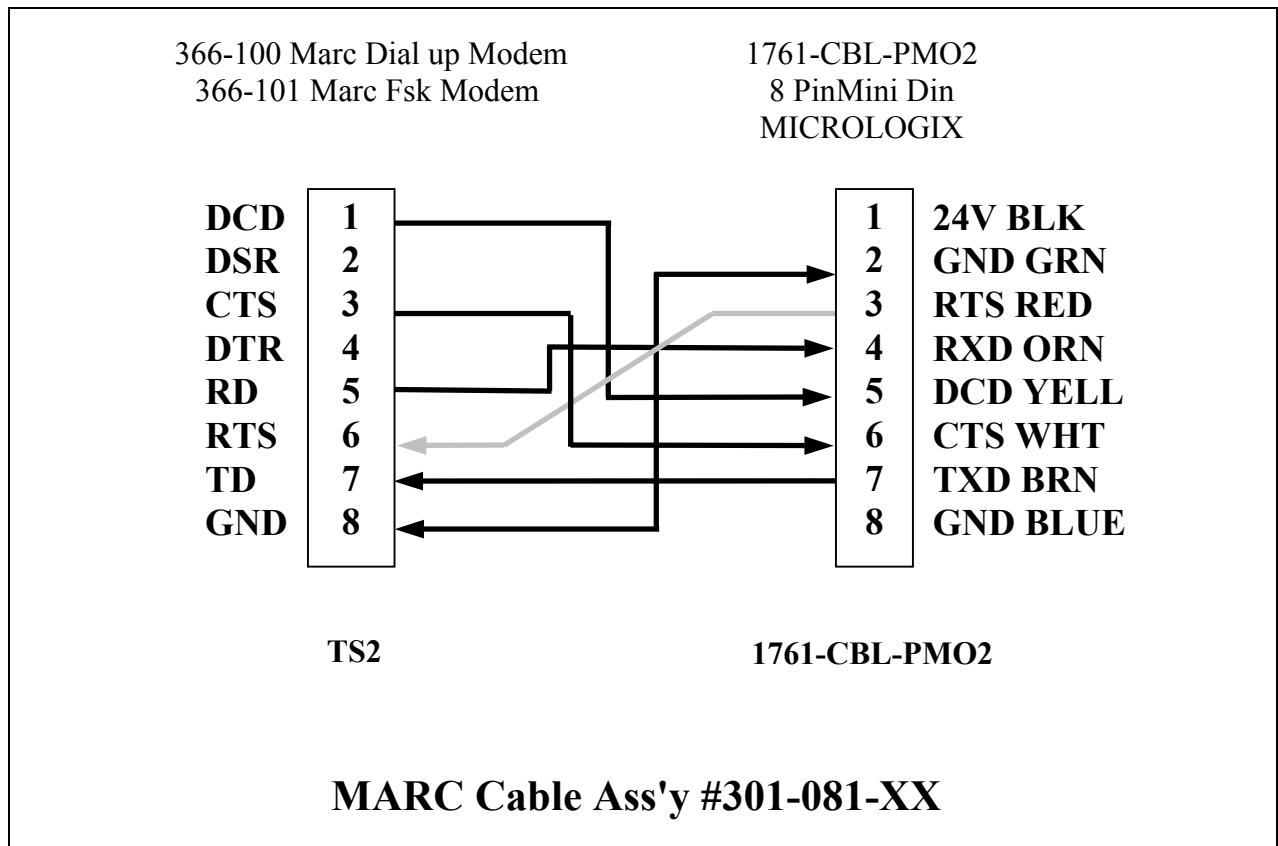
**301-081-XX**

THIS CABLE IS USED FOR:

MARC 366-100 Din Dial Up Modem

MARC 366-101 Din FSK Modem

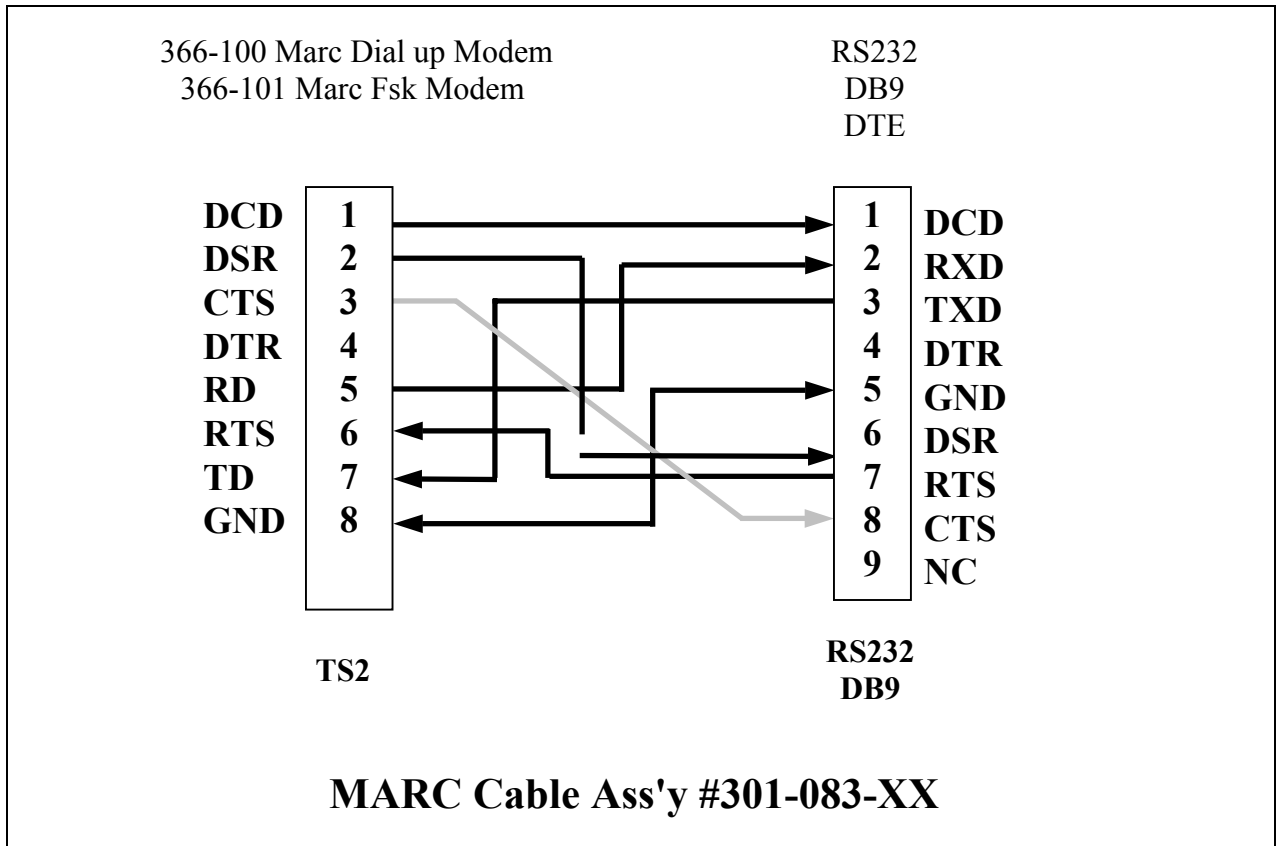
**1761-CBL-PMO2 8PIN MINI DIN MICROLOGIX**



**301-083-XX**

THIS CABLE IS USED FOR:

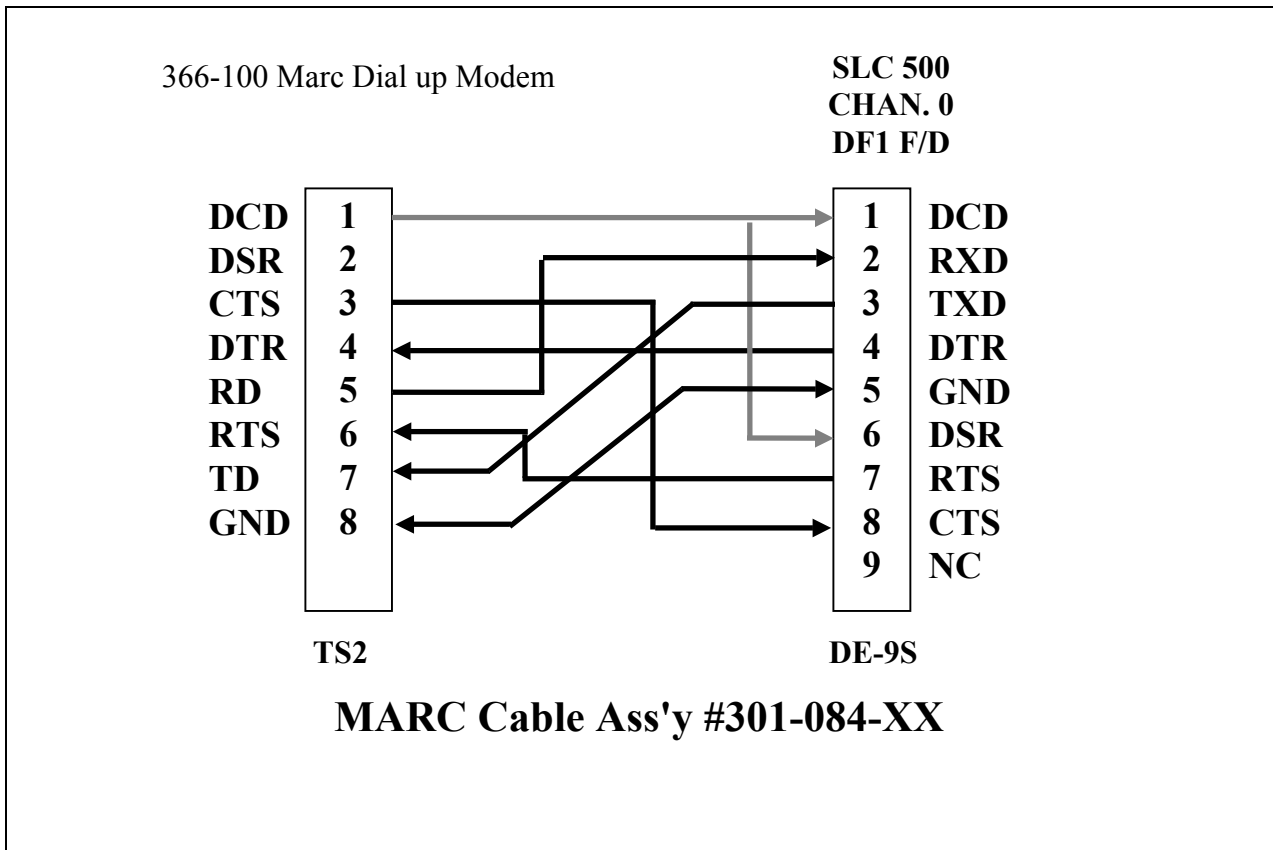
MARC 366-100 Din Dial Up Modem  
MARC 366-101 Din FSK Modem to  
**RS232 DB9**



**301-084-12**

THIS CABLE IS USED FOR:

366-100 Dial Up Modem to SLC 500 Ch 0 DF1 Full Duplex

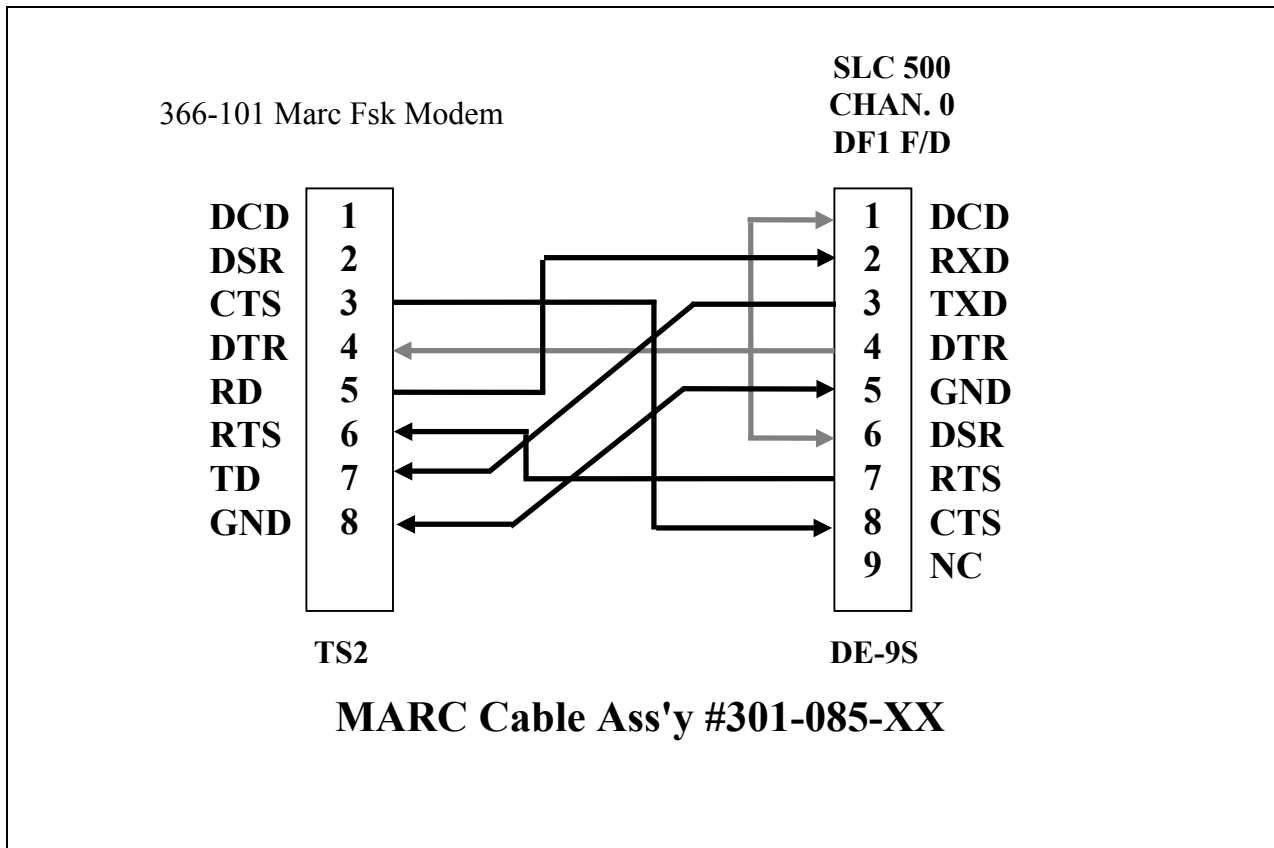




**301-085-12**

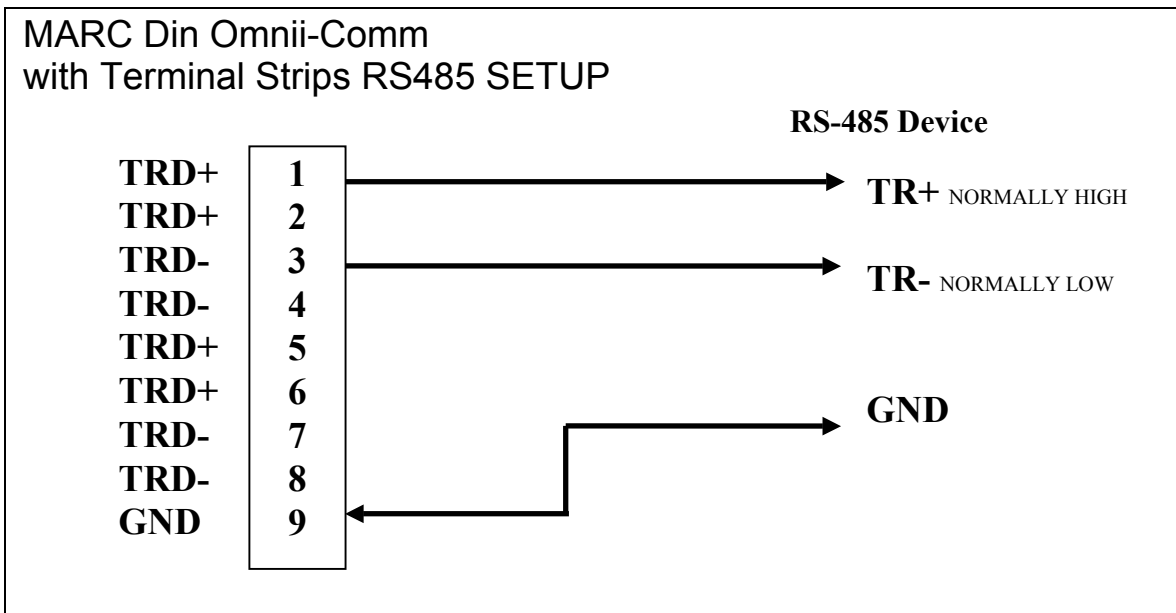
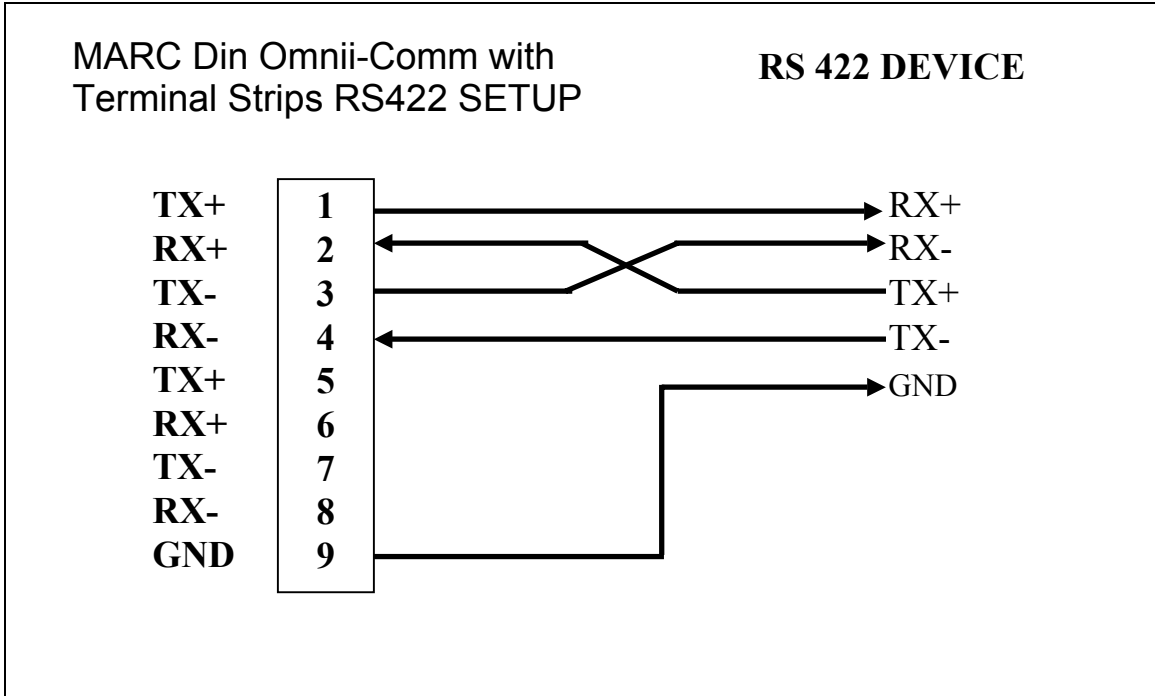
THIS CABLE IS USED FOR:

366-101 FSK Modem to SLC 500 Ch 0 DF1 Full Duplex



### 301-XXX-XX

Memo make sure to change 9 position jumper to 485-422 and add Jumper between 10-13 Din Omnii Manual page 8



NOTES



CONTACT OUR SALES OFFICE AT THE NUMBER BELOW TO  
GET ADDITIONAL INFORMATION ON OUR  
COMMUNICATIONS PRODUCTS

**LEASED LINE MODEMS**

FOR PLC 5, SLC 500 AND DIN RAIL MOUNTED

**DIAL UP MODEMS**

FOR PLC 5, SLC 500 AND DIN RAIL MOUNTED

**OMNII-COMM™**

UNIVERSAL COMMUNICATIONS CONTROLLER  
FOR PLC 5, SLC 500 AND DIN RAIL MOUNTED

MIILLE APPLIED RESEARCH CO., INC.  
P.O. BOX 87634  
HOUSTON, TEXAS 77287  
U.S.A.

VOICE 800/729-0818  
OR  
FAX 713/472-0318  
<http://www.miill>